

**TO COMPLETE YOUR ORDER, THIS DOCUMENT MUST BE SIGNED AND EMAILED TO MAAX ORDER DESK  
SACCANADA@MAAX.COM • PHONE: 1-877-438-6229**

DATE: _____ CUSTOMER: _____ SHIP TO: _____ P.O. #: _____ QUANTITY: _____ _____ / / PLUMBING CONTRACTOR APPROVAL _____ DATE _____ _____ / / ENGINEER APPROVAL _____ DATE _____	JOB NAME: _____ QUOTE#: _____ _____ PHONE: _____ SPECIAL NOTES: _____ _____ / / GENERAL CONTRACTOR APPROVAL _____ DATE _____ _____ / / ARCHITECT APPROVAL _____ DATE _____
---	--

**IMPORTANT NOTES:**

1. MAAX assumes no responsibility for final code compliance. Information and specifications taken from this document must be confirmed with appropriate authorities.
2. Units are code compliant when fully equipped and installed according to guidelines.
3. Due to possible water leaks between the threshold of the shower and the curtain, MAAX recommends the installation of a floor drain outside the unit.

<b>INT. DIMENSIONS</b>	48" L x 36" W x 76 ¾" H (1219 x 914 x 1950)
<b>EXT. DIMENSIONS</b>	50 ¾" x 39 ½" x 78 ¾" (1289 x 1003 x 2000)
<b>SKIRT HEIGHT</b>	1" (25 mm)
<b>THRESHOLD HEIGHT</b>	No interior threshold
<b>WEIGHT</b>	186 LB (84 kg) gross
<b>MATERIAL</b>	ACRYLX
<b>WARRANTY</b>	RESIDENTIAL: 25 YEAR COMMERCIAL: 1 YEAR

(105088-R/L)



**STANDARD FEATURES**

- Fully reinforced for customized placement of grab bars and seat
- Center drain
- Textured bottom

**INCLUDED OPTIONS**

*Please specify colors/finishes when ordering.*

- L-Shaped Fold-Up Seat:
  - Naugahyde (381)     Phenolic (382)     Left     Right
- 18-in. Straight Grab Bar:
  - White (001)     Stainless Steel (106)
- 30-in. Straight Grab Bar:
  - White (001)     Stainless Steel (106)
- 48-in. Curtain Rod with Grommets: Stainless Steel (106)
- 48-in. White Vinyl Shower Curtain with Stainless Steel Hooks (106)
- Solid brass drain with stainless steel grid. Quick caulk seal fits a 2 in. schedule 40 steel or plastic pipe.

**ADDITIONAL ACCESSORIES AND OPTIONS<sup>1</sup>**

*Please specify colors/finishes when ordering.*

- Straight Grab Bar
  - 12 in.     18 in.     24 in.     30 in.     42 in.     48 in.
  - White (001)     Stainless Steel (106)
- Horizontal L-Shaped Grab Bar
  - White (001)     Stainless Steel (106)
- Built-In Soap Dish\*
  - White (001)     Stainless Steel (106)
- Pressure Balance Mixing Valve with
  - 1-function Hand-Held Shower including Slide Bar with 60-in. Hose and Vacuum Breaker: Chrome (084)\*
  - 24-in. Slide Bar     36-in. Slide Bar

\* Pressure balance mixing valve and soap dish are not factory installed.

<sup>1</sup>Please indicate custom positionings on reverse side drawings.

Additional charges may apply.

**TO COMPLETE YOUR ORDER, THIS DOCUMENT MUST BE SIGNED AND EMAILED TO MAAX ORDER DESK  
SACCANADA@MAAX.COM • PHONE: 1-877-438-6229**

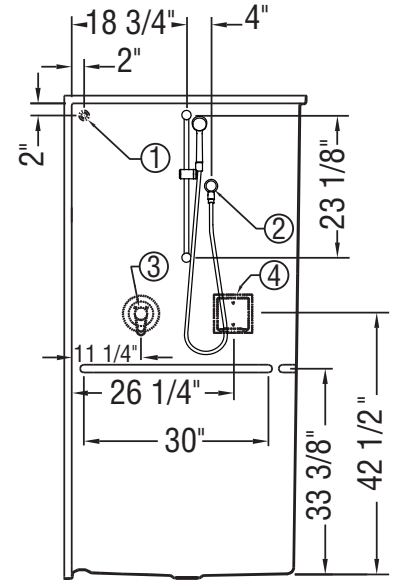
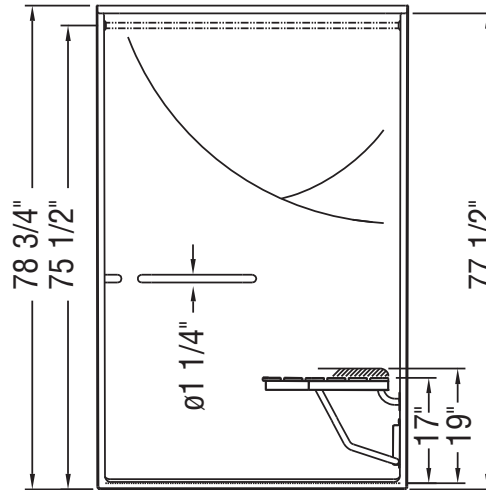
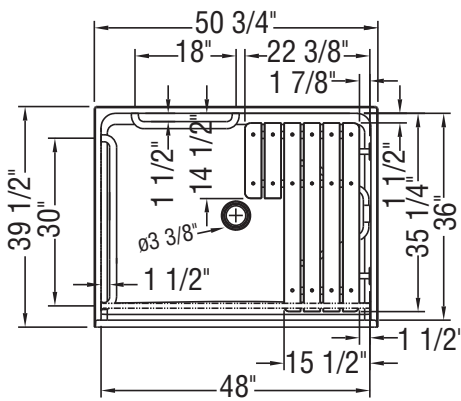
**TECHNICAL DRAWINGS**

**Please indicate custom positionings\***

\*Relocating the grab bar or seat outside of the compliant zones render the unit no longer compliant. Consult code regulations.

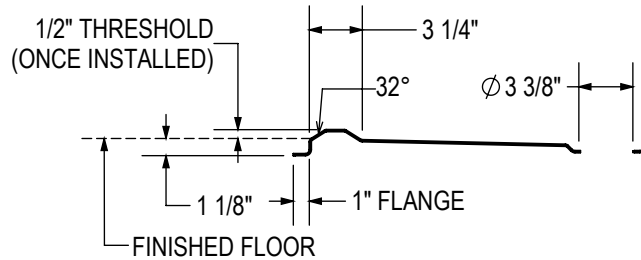
**Right-hand model shown.**

Unless otherwise specified, the option and grab bar positioning is pre-determined by the seat location; please specify seat location when ordering (R/L).

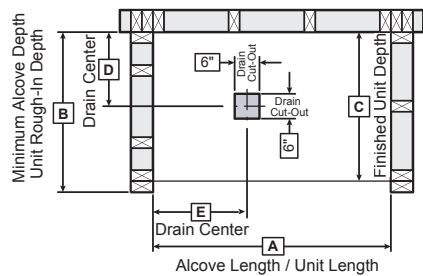


- ① Curtain rod (included)
- ② Hand-held shower (slide bar factory installed)
- ③ Pressure valve (not factory installed)
- ④ Soap dish (not factory installed)

**DAM PROFILE**



**FRAMING DIMENSIONS**



Model	A	B	C	D	E
105088	50 ¾"	39 ½"	78 ¾"	19 ½"	25 ¾"

**MINIMUM CLEARANCE**

SHOWER 48" X 36"	
ADA	
F	48"
G	36"

Clearance zone from the control wall and adjacent to the open face.

