

**TO COMPLETE YOUR ORDER, THIS DOCUMENT MUST BE SIGNED AND EMAILED TO MAAX ORDER DESK
SACCANADA@MAAX.COM • PHONE: 1-877-438-6229**

DATE:	JOB NAME:
CUSTOMER:	QUOTE#:
SHIP TO:	
P.O. #:	PHONE:
QUANTITY:	SPECIAL NOTES:
/ /	/ /
PLUMBING CONTRACTOR APPROVAL	GENERAL CONTRACTOR APPROVAL
DATE	DATE
/ /	/ /
ENGINEER APPROVAL	ARCHITECT APPROVAL
DATE	DATE

IMPORTANT NOTES:

1. MAAX assumes no responsibility for final code compliance. Information and specifications taken from this document must be confirmed with appropriate authorities.
2. Units are code compliant when fully equipped and installed according to guidelines.
3. Due to possible water leaks between the threshold of the shower and the curtain, MAAX recommends the installation of a floor drain outside the unit.

INT. DIMENSIONS	48" L x 36" W x 76 ¾" H (1219 x 914 x 1950)
EXT. DIMENSIONS	50 ¾" x 39 ½" x 78 ¾" (1289 x 1003 x 2000)
SKIRT HEIGHT	1" (25 mm)
THRESHOLD HEIGHT	No interior threshold
WEIGHT	186 LB (84 kg) gross
MATERIAL	ACRYLX
WARRANTY	RESIDENTIAL: 25 YEAR COMMERCIAL: 1 YEAR

(105088-R/L)



STANDARD FEATURES

- Fully reinforced for customized placement of grab bars and seat
- Center drain
- Textured bottom

ACCESSORIES AND OPTIONS¹

Please specify colors/finishes when ordering.

- L-Shaped Fold-Up Seat:
 - Naugahyde (381) Phenolic (382) Left Right
- Rectangular Fold-up Seat:
 - Naugahyde (381) Phenolic (382) Left Right
- Horizontal L-Shaped Grab Bar:
 - White (001) Stainless Steel (106)
- Straight Grab Bar
 - 12 in. 18 in. 24 in. 30 in. 42 in. 48 in.
 - White (001) Stainless Steel (106)
- Built-In Soap Dish*
 - White (001) Stainless Steel (106)
- Pressure Balance Mixing Valve with 1-function Hand-Held Shower including Slide Bar with 60-in. Hose and Vacuum Breaker: Chrome (084)*
 - 24-in. Slide Bar 36-in. Slide Bar
- 48-in. Curtain Rod with Grommets: Stainless Steel
- 48-in. White Vinyl Shower Curtain with Stainless Steel Hooks
- Solid brass drain with stainless steel grid. Quick caulk seal fits a 2 in. schedule 40 steel or plastic pipe.

* Pressure balance mixing valve and soap dish are not factory installed.

¹Please indicate custom positionings on reverse side drawings.

Additional charges may apply.

**TO COMPLETE YOUR ORDER, THIS DOCUMENT MUST BE SIGNED AND EMAILED TO MAAX ORDER DESK
SACCANADA@MAAX.COM • PHONE: 1-877-438-6229**

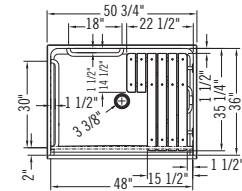
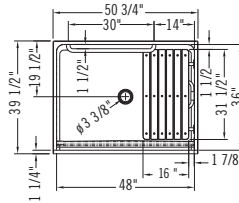
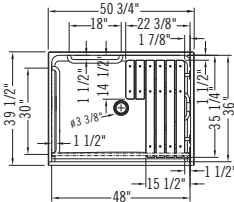
Select from the possible option positionings:
For custom see below.

ADA compliant

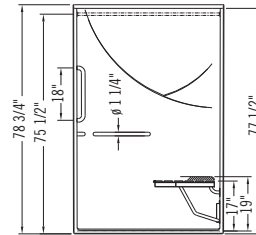
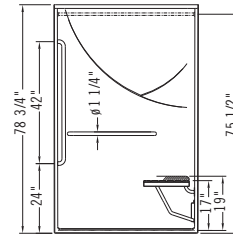
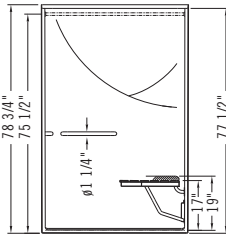
CSA compliant*

ANSI compliant

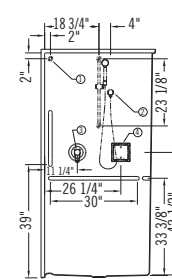
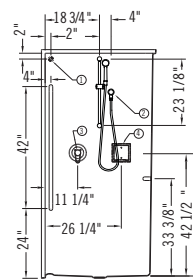
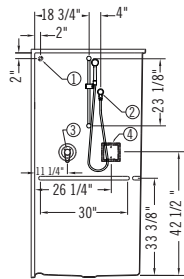
TOP



FRONT



LEFT SIDE



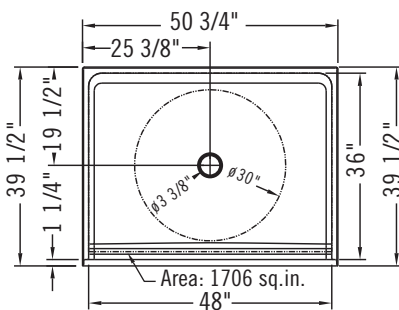
- ① Curtain rod
- ② Hand-held shower (slide bar factory installed)
- ③ Pressure valve (not factory installed)
- ④ Soap dish (not factory installed)

* Available in Canada only

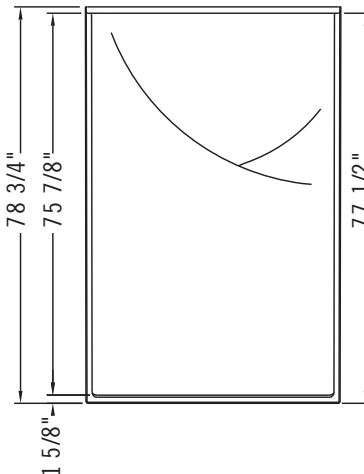
If you require custom positioning, specify measurements here:

Additional charge applies. MAAX reserves the right to refuse to manufacture a custom unit that is not in compliance with the applicable code specified above. Consult code regulations.

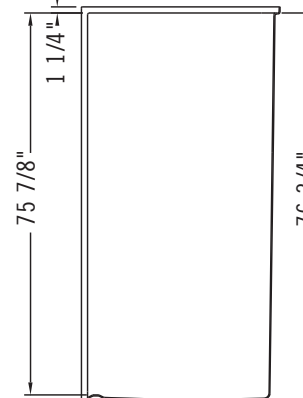
TOP



FRONT

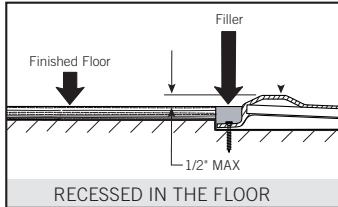


LEFT SIDE

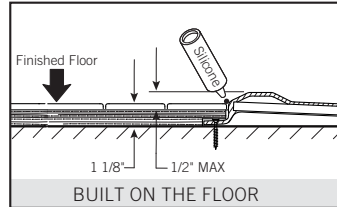


**TO COMPLETE YOUR ORDER, THIS DOCUMENT MUST BE SIGNED AND EMAILED TO MAAX ORDER DESK
SACCANADA@MAAX.COM • PHONE: 1-877-438-6229**

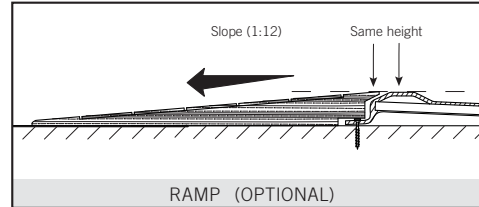
THRESHOLD INSTALLATIONS



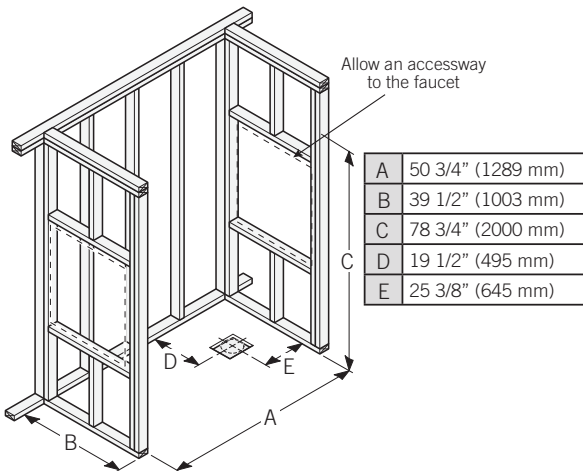
OR



OR

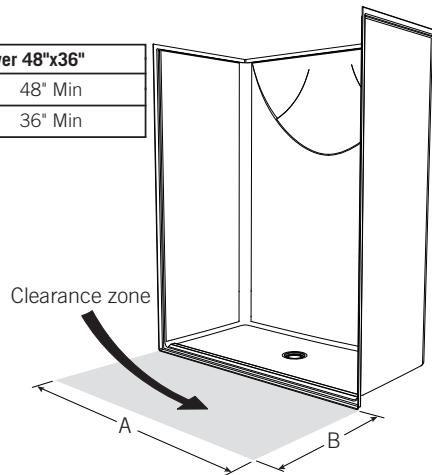


FRAMING



ADA / ANSI / CSA CLEARANCE

Shower 48"x36"	
A	48" Min
B	36" Min



INSTALLATION WARNING

Due to possible water leaks between the lip of the shower and the curtain, MAAX recommends the installation of a floor drain outside the unit, in rooms where the units will be installed. All our showers have an inside curb of 1/2" (13mm) height applicable to a transfer type use, precisely for the ADA standards.

Important: The finished height of the threshold must comply with the following canadian and american standards;

- Canada: height from 6 mm to 13 mm according to CAN/CSA B651 (Accessible and Usable Buildings and facilities).
- U.S.: 1/2" maximum height according to ADA/ANSI A117.1 (Accessible and Usable Buildings and facilities).

This standard does not apply to tub-showers.