

TO COMPLETE YOUR ORDER, THIS DOCUMENT MUST BE SIGNED AND FAXED TO MAAX ORDER DESK
FAX: 1-800-527-3368 • PHONE: 1-800-523-4093

DATE: _____

CUSTOMER: _____

SHIP TO: _____

P.O. #: _____

QUANTITY: _____

_____ / ____ / ____

PLUMBING CONTRACTOR APPROVAL _____ DATE _____

_____ / ____ / ____

ENGINEER APPROVAL _____ DATE _____

JOB NAME: _____

QUOTE#: _____

PHONE: _____

SPECIAL NOTES: _____

_____ / ____ / ____

GENERAL CONTRACTOR APPROVAL _____ DATE _____

_____ / ____ / ____

ARCHITECT APPROVAL _____ DATE _____

IMPORTANT NOTES:

1. MAAX assumes no responsibility for final code compliance. Information and specifications taken from this document must be confirmed with appropriate authorities.
2. Units are code compliant when fully equipped and installed according to guidelines.

| | |
|----------------------------|---|
| INTERIOR DIMENSIONS | 57" L x 31 1/2" W x 69 3/4" H |
| EXTERIOR DIMENSIONS | 59 3/4" L x 34" W x 74 1/2" H |
| APRON HEIGHT | 17 3/4" |
| WEIGHT | 154 LB |
| MATERIAL | ACRYLX |
| WARRANTY | RESIDENTIAL: LIMITED LIFETIME COMMERCIAL: 30 YEARS |

STANDARD FEATURES

- 1-piece tub shower
- Reinforced according to Fair Housing Act accessibility requirements
- Right or left-hand drain
- Textured bottom
- Above-the-Floor Rough (AFR)
- Available in standard and non-standard colors

COMPLIANT PACKAGE

Fully equipped - ANSI compliant

Tub Shower Base model with complete ANSI package

- 4 x 24" Horizontal straight textured stainless steel grab bars
- 1 x 18" Vertical straight textured stainless steel grab bar
- Removable Phenolic white seat
- Chrome pressure balance mixing valve with hand-held shower
- Chrome 24" slide bar & 60" flexible hose

Specify colors

White Bone Biscuit

Non-standard color: _____

Options

- 56" Chrome curtain rod (factory-installed)
- Chrome recessed soap dish (drilled, not installed)

Accessories (sold separately)

- 60" White vinyl shower curtain with stainless steel hooks

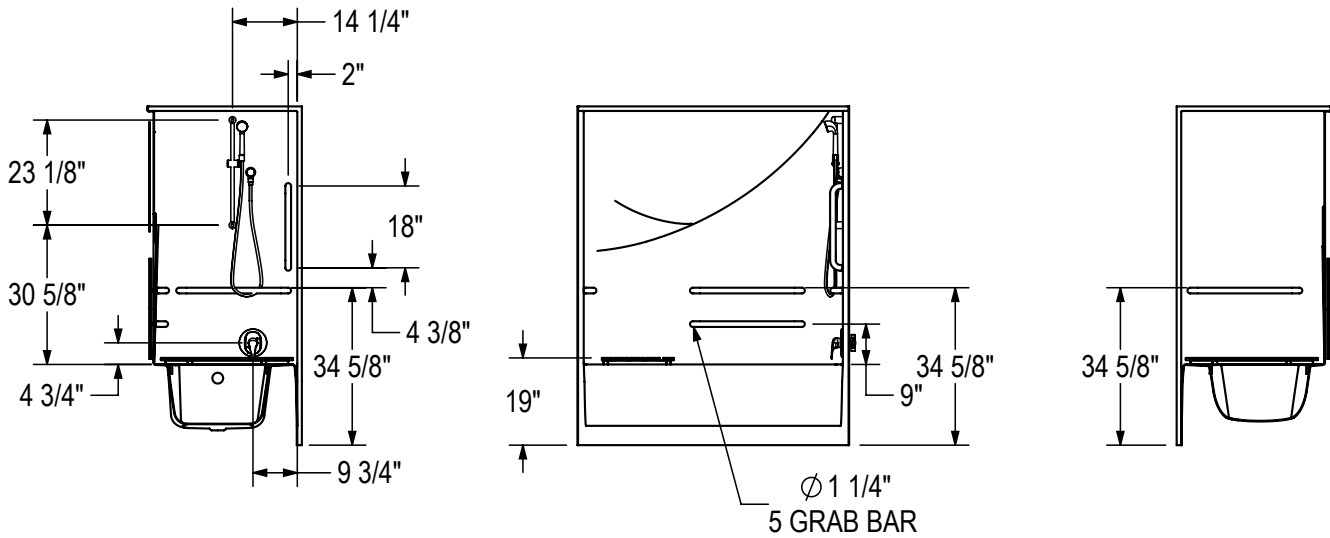
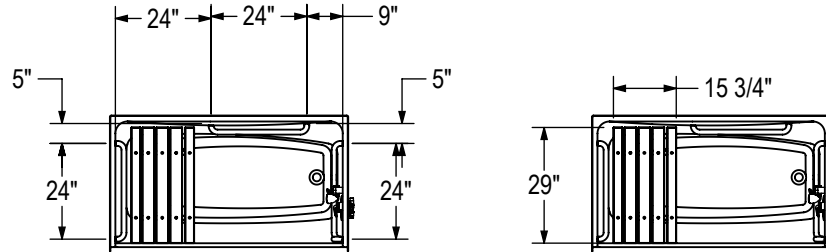
(106063-R/L)



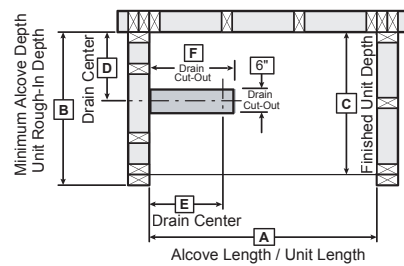
**TO COMPLETE YOUR ORDER, THIS DOCUMENT MUST BE SIGNED AND FAXED TO MAAX ORDER DESK
FAX: 1-800-527-3368 • PHONE: 1-800-523-4093**

TECHNICAL DRAWINGS

Right side shown
Left side symmetrical



FRAMING DIMENSIONS



| Model | A | B | C | D | E | F |
|--------|---------|-----|-----|---------|----|---------|
| 106063 | 59 3/4" | 34" | 33" | 15 1/2" | 8" | 10 1/2" |

MINIMUM CLEARANCE

| TUB SHOWER 60" X 32" | |
|----------------------|-----|
| ANSI | |
| G | 60" |
| H | 30" |

Clearance zone from the control wall and adjacent to the open face.

