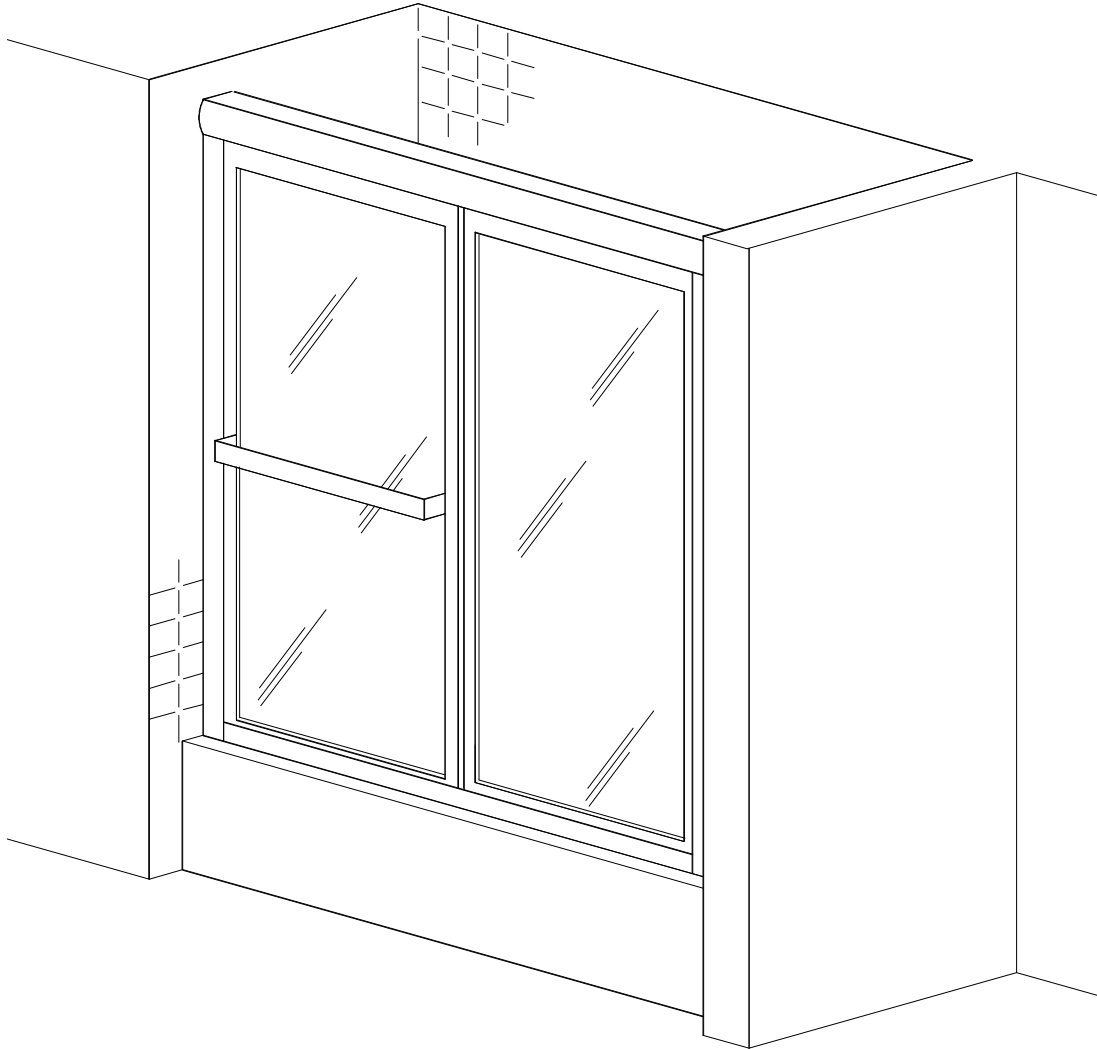


Installation Instructions

Framed Tub / Shower Enclosures:



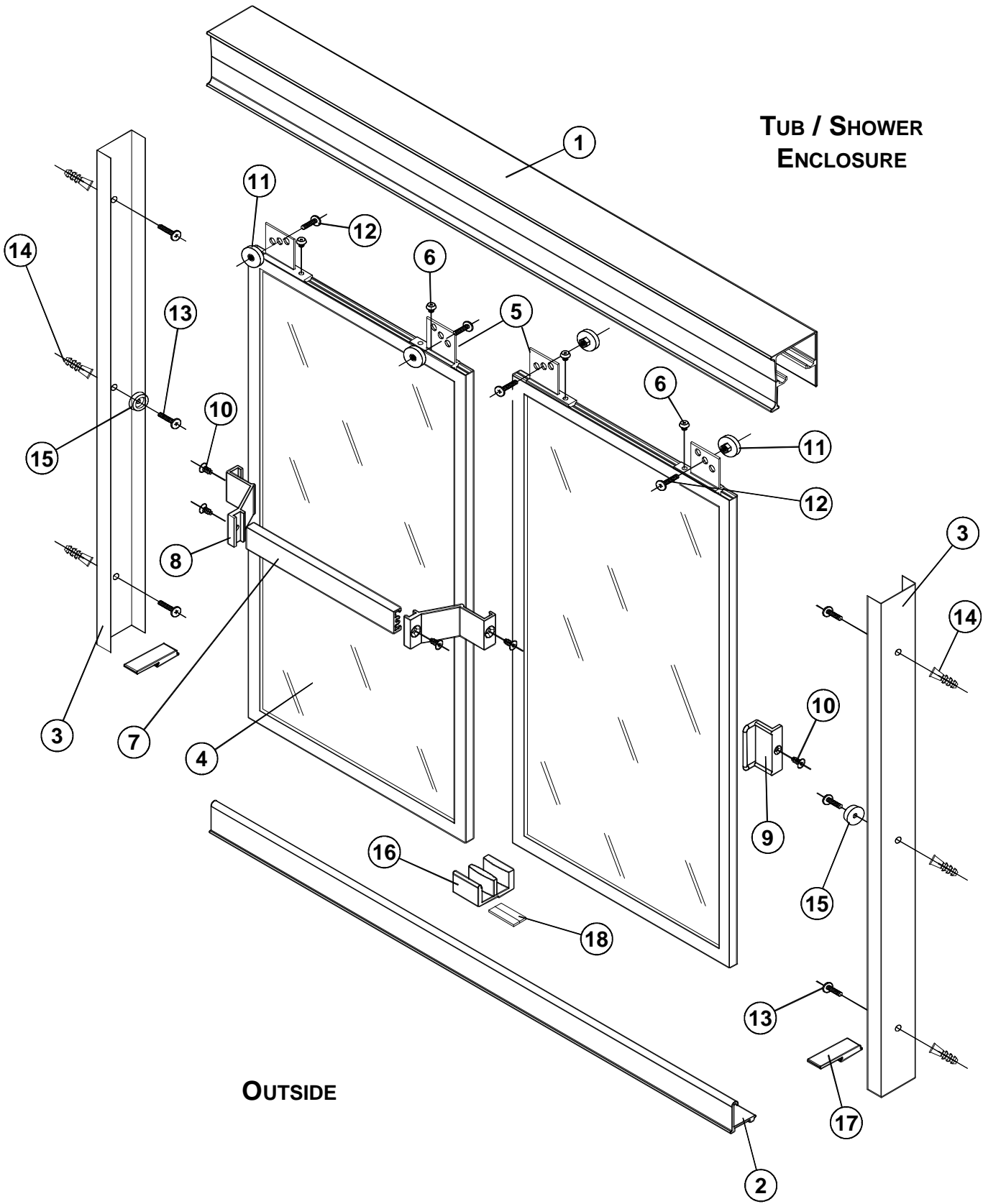
**SAVE THESE INSTALLATION INSTRUCTIONS FOR FUTURE REFERENCE
AND IN THE EVENT YOU NEED TO ORDER A REPLACEMENT PART.**

**RECORD THE MODEL# _____ GLASS _____ FINISH _____
FROM THE PRODUCT LABEL ON THE PACKAGE**

**IF YOU NEED REPLACEMENT PARTS OR HAVE INSTALLATION QUESTIONS,
PLEASE CALL OUR CUSTOMER SERVICE REPRESENTATIVES.**

**T. 1 877 GET-MAAX (1 877 438-6229)
F. 1 888 361-2045
www.maax.com**

**TUB / SHOWER
ENCLOSURE**



Item No.	Part Description	Qty.
1	Header	1
2	Track	1
3	Wall Channel	2
4	Glass Panel Door	2
5	Hanging Bracket	4
6	#6 x 5/16" long Screw	4
7	Towel Bar	1
8	Towel Bar Bracket	2
9	Door Handle	1
10	#8 x 3/8" long Flat Head Screw	5
10	#8 x 1/4" long Pan Head Screw	2
11	Roller	4
12	#8 x 7/16" long Machine Screw	4
13	#10 x 1 1/4" long Pan Head Screw	6
14	Wall Anchor	6
15	Bumper	2
16	Center Guide	1
17	End Guide	2
18	Tape	1

If you have missing parts, do not return the Tub / Shower Enclosure to the store, call us toll free for an immediate, courteous response.

When ordering replacement parts, please specify the Model Number, Item Number & Part Description

To help identify the proper parts, please refer to the following page for Illustrations of Parts. Assembly hardware is shown throughout the Installation Instructions, at actual size, for ease of identification.

Additional Screws and Wall Anchors are included in the Parts Bag for your convenience.

Unpacking:

Care should be taken when unpacking your Shower Enclosure. Place the Glass Panels in an upright, safe location to avoid damage.

Cleaning:

Never use scouring powder, pads or sharp instruments on metal work or Glass Panels. We recommend the use of a squeegee after each shower to eliminate water spots on the inside of the Glass Panels. An occasional wiping down of the Glass Panels and anodized aluminum parts with a mild detergent, diluted in water, is all that is needed to keep your Shower Enclosure looking brand new.

Carefully read the Installation Instructions **BEFORE** you start. This will enable you to become familiar with the installation sequences and the required tools.

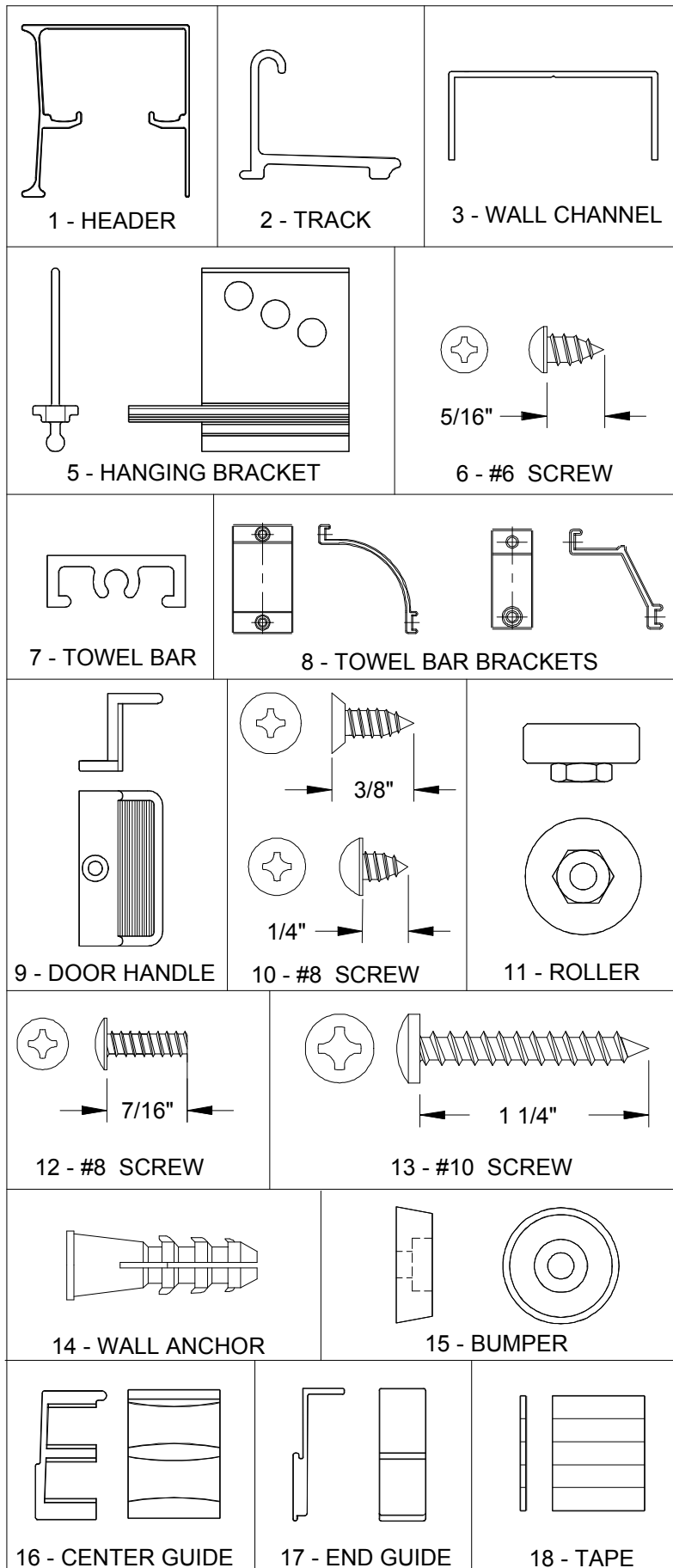
Tools Required - For installation of your Shower Enclosure, you will need the following tools:

- | | |
|--|--|
| A - Safety glasses. | I - Drill bit, 1/8" |
| B - Measuring tape. | <i>(for installation on a fiberglass enclosures)</i> |
| C - Pencil. | Drill bit, 1/4" masonry. |
| D - Hack saw <i>(with 32 teeth per inch blade).</i> | <i>(for installation on ceramic tiles or marble)</i> |
| E - Miter Box or Square. | J - Power screwdriver or a #2 phillips screwdriver. |
| F - Level. | K - #2 phillips screwdriver |
| G - Electric Drill. | L - Caulking gun |
| H - Center punch. | |

Materials Required - For installation of your Shower Enclosure, you will need the following materials:

- A** - Masking tape.
- B** - Silicone sealant.

ILLUSTRATIONS OF PARTS



1

WARNING: SAFETY GLASSES SHOULD BE WORN AT ALL TIMES.

Measure the finished wall-to-wall distance, dimension "D", in the center of the Tub / Shower Enclosure ledge.

If a steel tape is used, be sure to add the width of the case to the measurement.

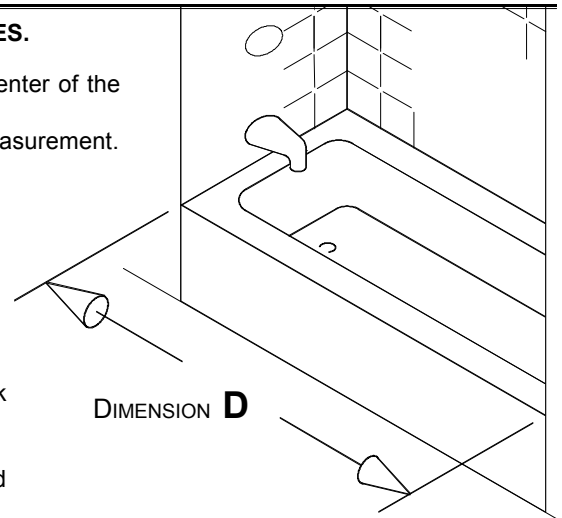
Subtract 3/16" from dimension "D", this is your "TRACK DIMENSION".

At this point, re-measure the wall-to-wall distance, dimension "D" and re-check subtraction, to be certain of the correct Track Dimension.

"Measure twice, cut once".

Measure the "Track Dimension" along the length of the Track. Carefully cut the Track to fit the Tub / Shower Enclosure.

Please note, to obtain the best results, use a 32-tooth per inch hacksaw blade and miter box.

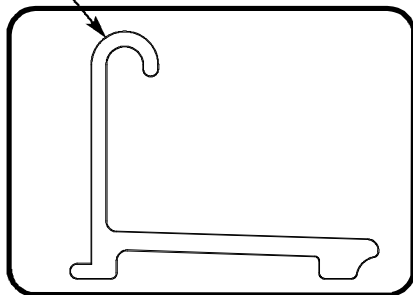


2

Locate the Track in the center of the Tub / Shower Enclosure ledge. Maintain a uniform gap, at each end, between the end of the Track and the wall. The "HIGH SIDE" on the Track is located towards the outside.

Using masking tape, temporarily secure the Track to the ledge and mark the location with a pencil.

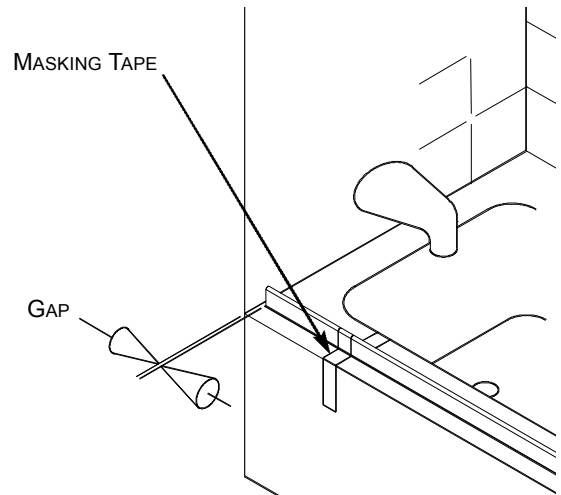
HIGH SIDE



TRACK PROFILE

MASKING TAPE

GAP

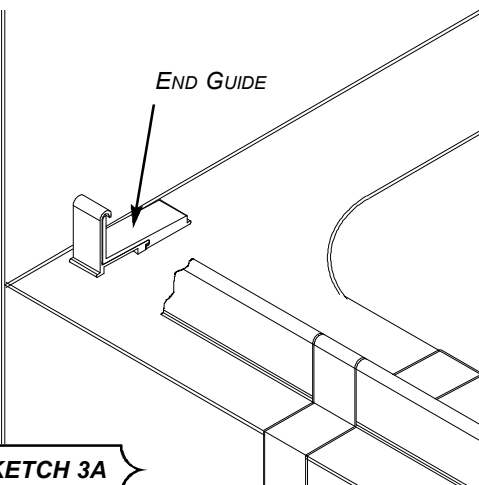


3

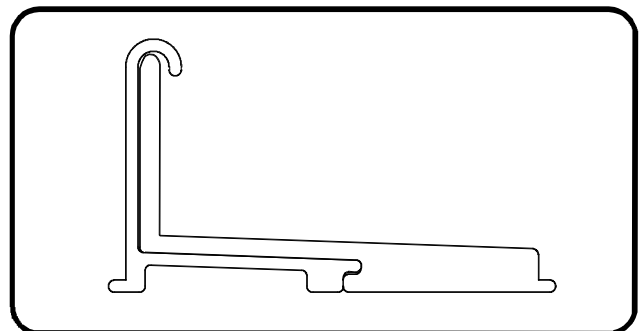
Install End Guide at the end of the Track as shown in **SKETCH 3A**.

Note: In **SKETCH 3A** a section of the Track has been cut away to clearly show the installation of the End Guide.

END GUIDE



SKETCH 3A



TRACK AND END GUIDE PROFILE

4

Prepare the Wall Channels for installation by drilling (3) equally spaced mounting holes, as shown in **SKETCH 4A**. To do this, lay the channel on a flat surface and mark the middle hole and then the two end holes about 3" from each edge at the "V" groove provided. Next, using the "V" groove, drill a 3/16" hole at each marked spot to complete the fabrication of the mounting holes.

To prepare the mounting surface, carefully position each Wall Channel by sliding it down, around the Track and End Guide making sure it is "sitting" on top of their legs, as shown in **SKETCH 4A**. Be careful not to move the temporary position of the Track.

Use a level to plumb the Wall Channel, as shown in **SKETCH 4B**.

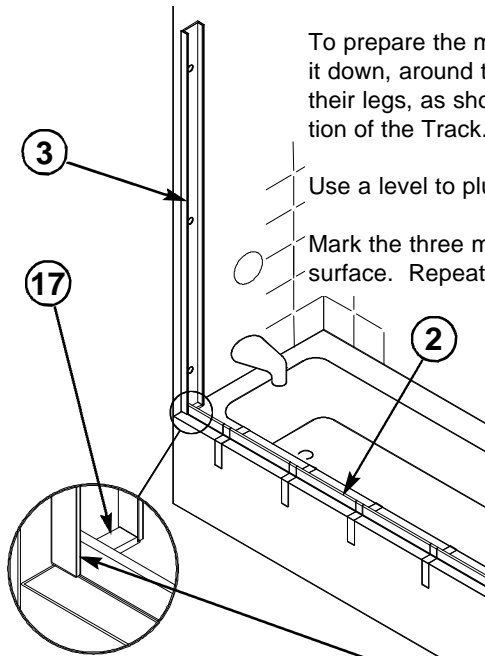
Mark the three mounting hole locations of the Wall Channel on the mounting surface. Repeat this procedure with the Wall Channel on the opposite wall.

Remove the Wall Channels, Track, and End Guides from the Shower. Drill mounting holes at the marked locations.

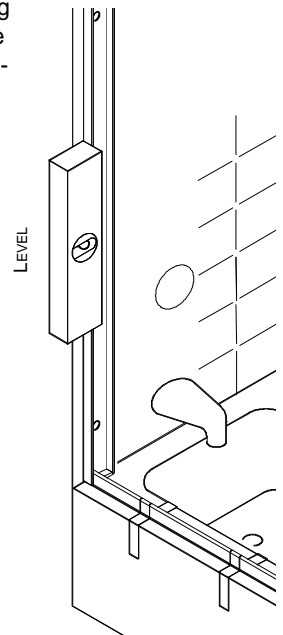
Mounting hole size is as follows:

When mounting to ceramic tile, use a 1/4" masonry drill bit. Nick the ceramic surface at the mounting hole locations with a center punch. After drilling, insert Wall Anchors.

When mounting to a fiberglass enclosure, use a 1/8" drill bit. Wall Anchors are not required.



WALL CHANNEL SLIDES DOWN, AROUND THE TRACK AND END GUIDES, SITTING ON TOP OF THE EACH PART'S LEGS.



SKETCH 4B

5

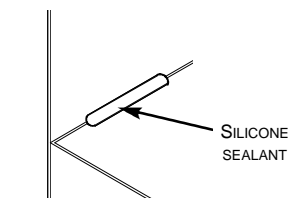
After drilling, clean the Tub / Shower Enclosure ledge and the Wall Channel areas thoroughly. This will assure proper adhesion of the Silicone Sealant.

Before the Track is installed, apply a bead of Silicone Sealant to the grout line, where the end of the Track will be located, as shown in **SKETCH 5A**.

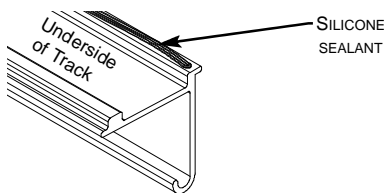
Apply a thick continuous bead of Silicone Sealant to the underside of the Track. The Silicone Sealant should be applied to the Track's outside leg only, as shown in **SKETCH 5B**.

Do not apply Silicone Sealant to the back side of the Wall Channel. Sealing the Wall Channel will be completed in the final step.

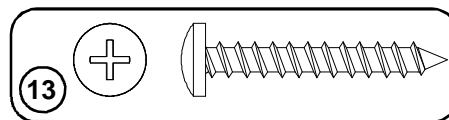
Position the Track on the Tub / Shower Enclosure ledge in the marked location. Then, position the End Guides at each end of the Track.



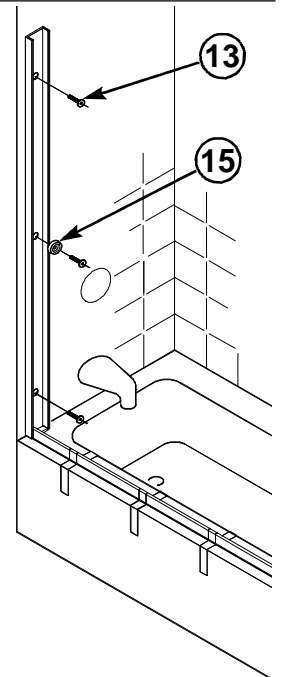
SKETCH 5A



SKETCH 5B



ACTUAL SIZE #10 x 1 1/4" LONG SCREW



SKETCH 5C

Remember, the high side of the Track must be placed toward the outside of the Tub / Shower Enclosure ledge.

Install Wall Channels using the #10 x 1 1/4" Screws provided.

Bumpers are installed in the middle Screw location ONLY, as shown in **SKETCH 5C**.

6

Measure the finished wall-to-wall distance, dimension "H", at the top of the Wall Channels.

Please note, that if a steel tape is used, be sure to add the width of the case to the measurement.

Subtract 1/16" from dimension "H", this is your "HEADER DIMENSION".

At this point, re-measure the wall-to-wall distance, dimension "H" and re-check subtraction, to be certain of the correct Header Dimension.

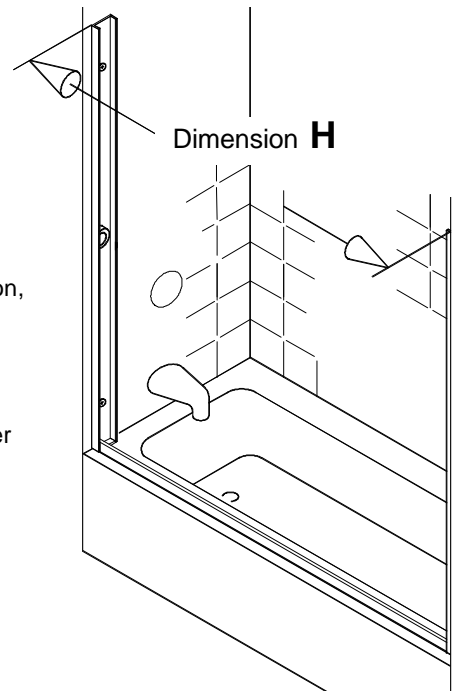
"Measure twice, cut once".

Measure the "Header Dimension" along the length of the Header. Carefully cut the Header to fit the Tub / Shower Enclosure.

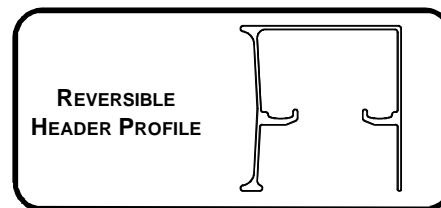
Please note, to obtain the best results, use a 32-tooth per inch hacksaw blade and miter box.

Certain models have a Reversible Header.

Before installation, determine if the Straight Side or the Curved Side will face forward.

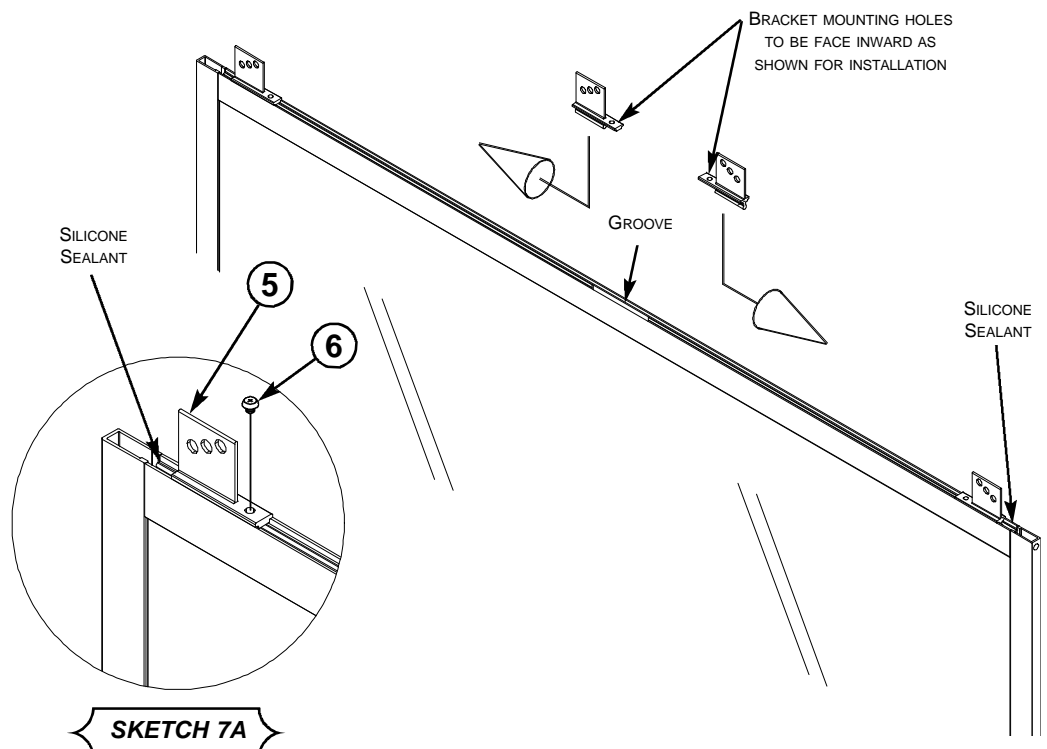


Slide the Header down on top of the Wall Channels.



7

Apply silicone sealant into the Hanging Bracket groove at each corner of the door as noted. Before the silicone sealant can dry, position the Hanging Brackets as shown and insert the rounded "ball" end into the center Groove provided. Once inserted, slide each Bracket to it's corner as shown. Once in position, install a #6 x 1/4" Screw through each bracket mounting hole provided and into the door.



ACTUAL SIZE #6 x 1/4" LONG SCREW

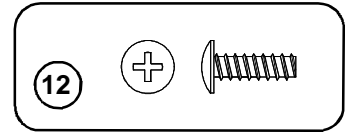
SKETCH 7A

8

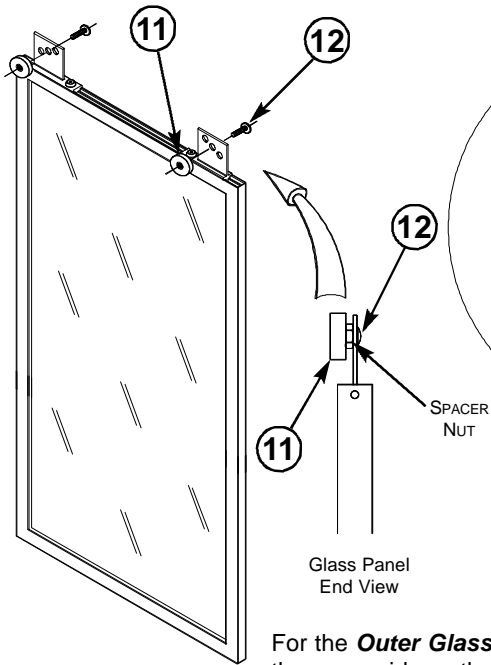
Install Rollers as shown.

Please note, the Spacer Nut, on the Roller, is mounted against the Hanging Bracket.

Initially, install the Roller in the middle mounting hole. The other holes are available as needed for adjustments.

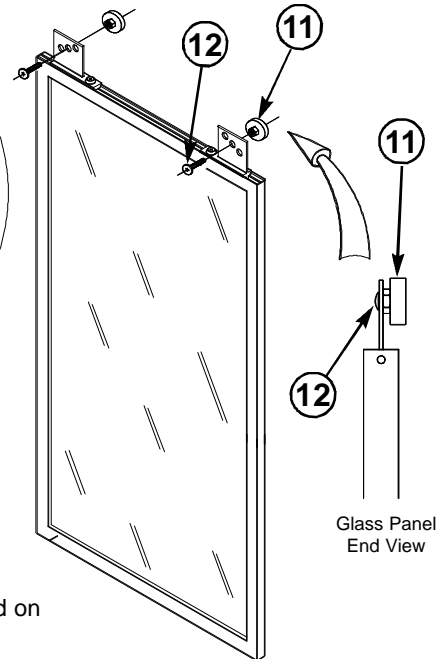


ACTUAL SIZE #8 x 7/16"
LONG MACHINE SCREW



OUTER GLASS PANEL

For the **Outer Glass Panel**, the Rollers are mounted on the same side as the Towel Bar as shown.

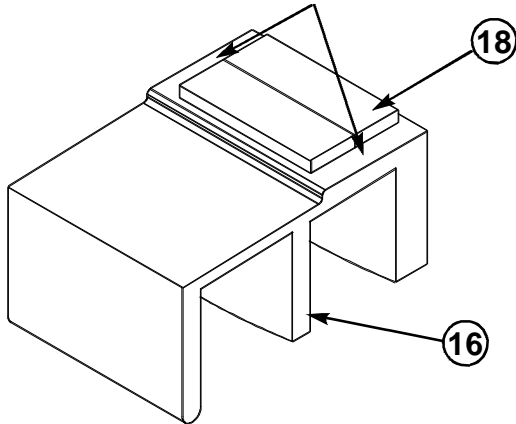


INNER GLASS PANEL

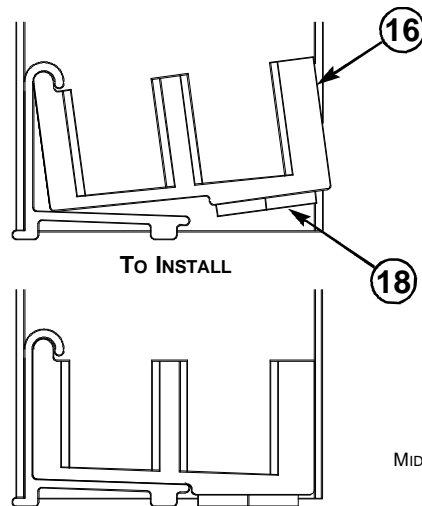
For the **Inner Glass Panel**, mount the Rollers on the opposite side from the Door Handle as shown.

9

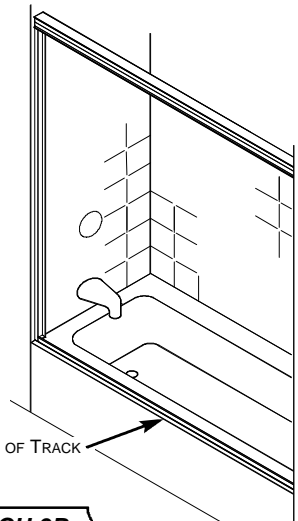
SPACE TO APPLY SILICONE SEALANT AFTER THE CENTER GUIDE HAS BEEN INSTALLED.



SKETCH 9A



INSTALLED POSITION



SKETCH 9B

Peeling away only one side of the Double-Faced Tape protective cover, install two tape pieces to the bottom of the Center Guide as shown in **SKETCH 9A**. Make sure to leave space for applying the Silicone Sealant as noted. **DO NOT** remove the remaining protective tape cover at this time.

To install the Center Guide, locate the middle of the track as shown in **SKETCH 9B**. Insert the Center Guide as shown in **SKETCH 9A**, without removing the protective cover, and mark it's proper position on the Track.

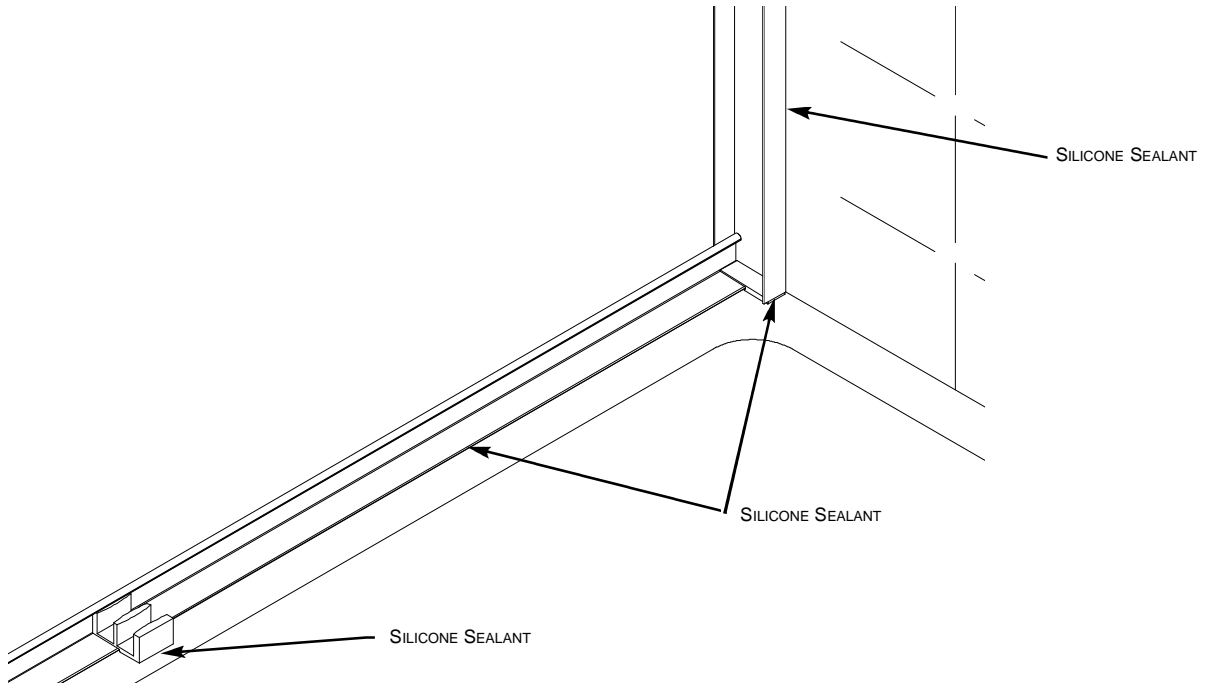
Once the position is marked, remove the Center Guide and peel away the remaining protective cover on the Double-Faced Tape.

Reinstall the Center Guide at your marked position on the Track and apply Silicone Sealant.

10

Apply Silicone Sealant as shown in **SKETCH 10A**.

Apply to all "seams" created by the Walls / Wall Channels, Track, Track / End Guides, and all around the Center Guide as noted in Step #9.



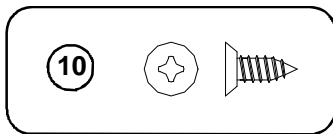
SKETCH 10A

11

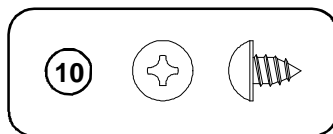
Install the Towel Bar and Towel Bar Brackets to the middle of one of the Glass Panel Doors as shown using the #8 x 3/8" Flat Head Screws provided. **This is now called the Outer Glass Panel Door.**

Note: If your Towel Bar Brackets have only ONE countersunk screw hole, install the Bracket to the Glass Panel Door with the #8 x 1/4" long Pan Head screw provided as shown below.

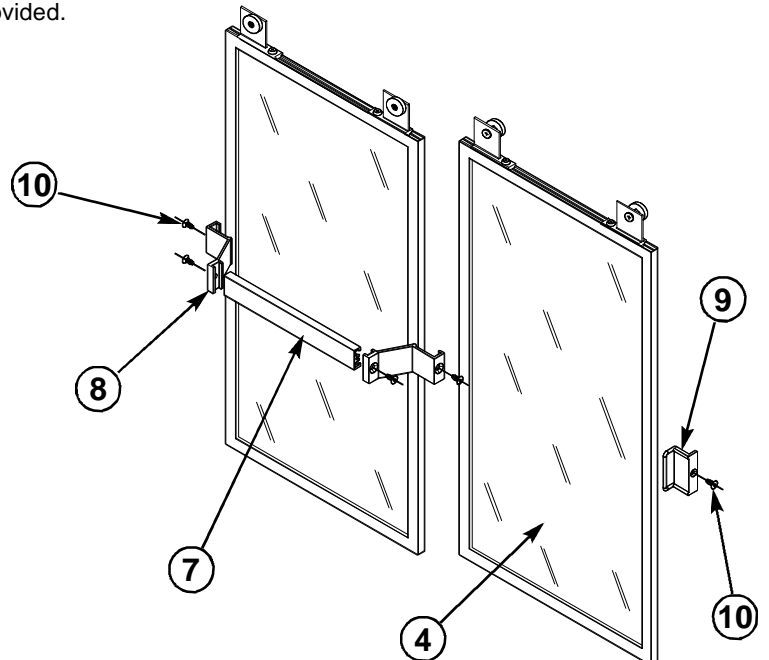
Install the Door Handle to the middle of the second Glass Panel Door as shown using the #8 x 3/8" Flat Head Screws provided. **This is now called the Inner Glass Panel Door.**



ACTUAL SIZE #8 x 3/8" LONG
FLAT HEAD SCREW



ACTUAL SIZE #8 x 1/4" LONG
PAN HEAD SCREW



12

WARNING: Do NOT LIFT GLASS PANELS BY THE TOWEL BARS.

Install the Inner Glass Panel first. With the Rollers facing toward the Tub, **HOLD THE GLASS PANELS BY BOTH SIDES** and lift up into the underside of the Header.

Be certain that both Rollers are resting on the inner roller track. Slowly release, allowing the Glass Panel to hang from the Header. Slide the Inner Glass Panel **towards** the **shower head end** of your Tub. The edge of the Glass Panel should touch the Bumper, if not, the wall is not plumb & the Glass Panel needs to be adjusted. To adjust, remove the Inner Glass Panel and move one or both Rollers into other holes. Re-install Glass Panel and re-check for plumb.

To install the Outer Glass Panel, face the Rollers toward the outside. **HOLD THE GLASS PANEL BY THE SIDES** and lift up into the underside of the Header. Be certain that both Rollers are resting on the outer roller track. Slowly release, allowing the Glass Panel to hang from the Header.

Slide the Outer Glass Panel **away** from the **shower head end** of your Tub. The edge of the Glass Panel should touch the Bumper. If not, the wall is not plumb & the Glass Panel needs to be adjusted. To adjust, remove the Outer Glass Panel and move one or both Rollers into other holes. Re-install Glass Panel and re-check for plumb.

Please note, the Glass Panels need to be hung as low as possible to avoid water from "splashing-out". There should be a slight gap between the bottom of the Glass Panel and the Center Guide.

