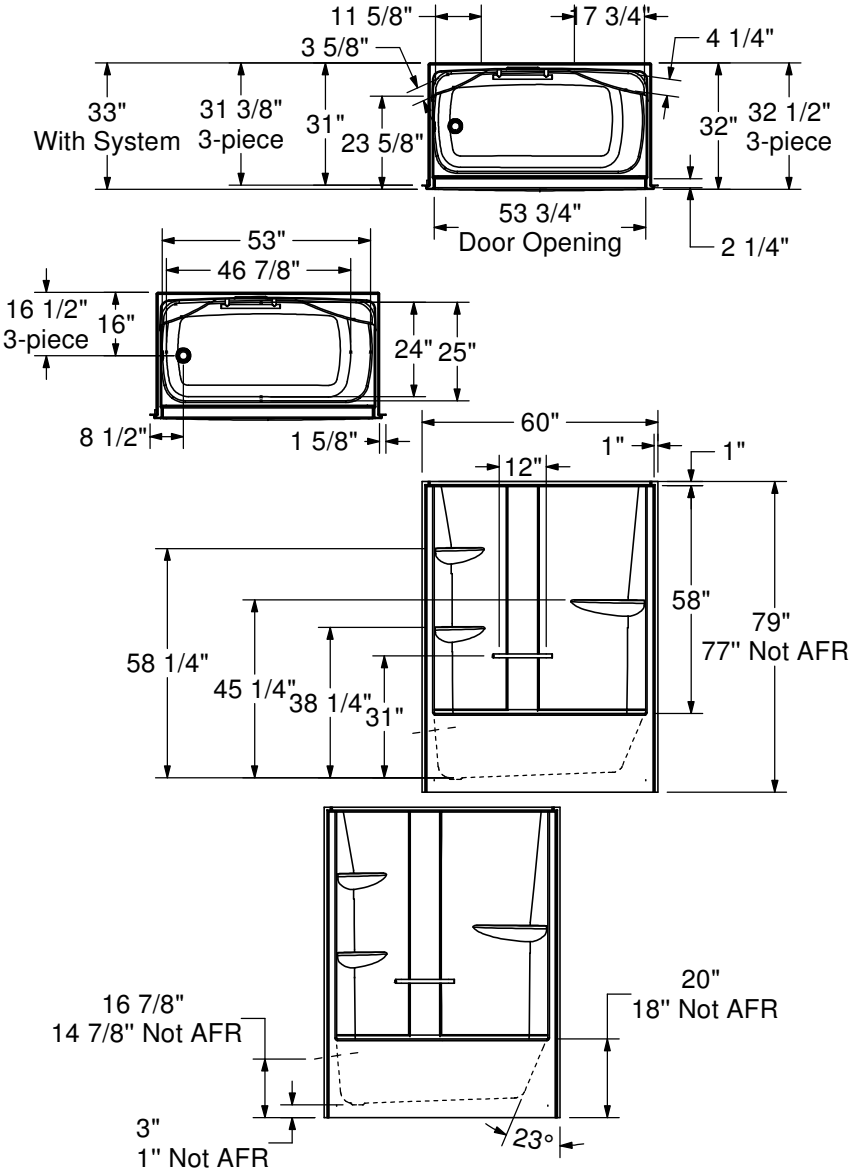
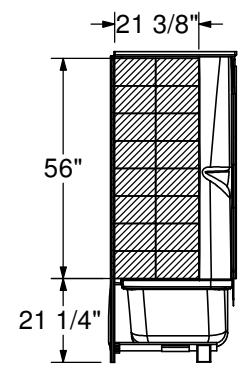


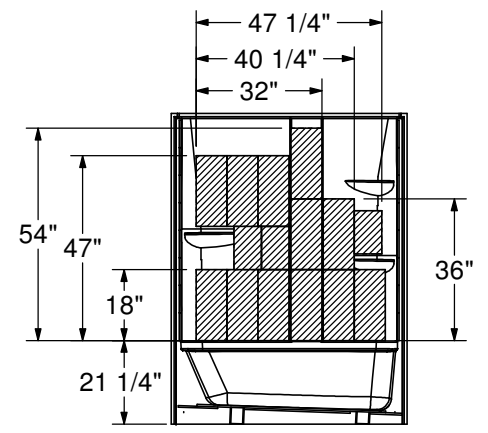
STANDARD
(Left shown, Right symmetrical)
1-PIECE MODEL SHOWN



OPTIONAL REINFORCEMENT
(Left shown, Right symmetrical)

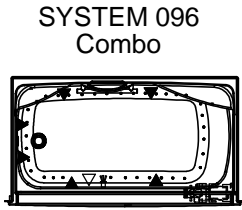
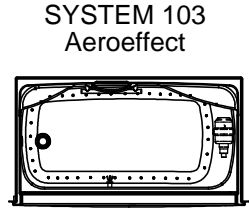
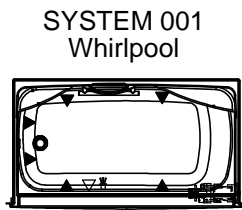


OPTIONAL REINFORCEMENT
(Back Wall)

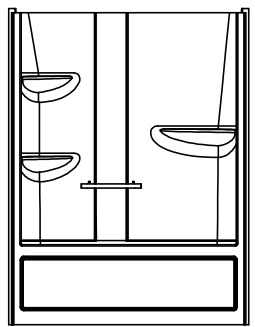


All dimensions are approximate. Structure measurements must be verified against the unit to ensure proper fit.

SYSTEM
(Left shown)



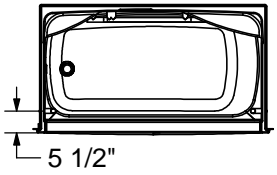
With ACCESS PANEL



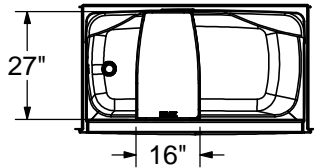
- (▲) : Indicates whirlpool jets positioning
- (△) : Indicates suction positioning
- (●) : Indicates Aerofeel airjets positioning
- (☼) : Indicates chromatherapy light positioning

GRAB BAR & SEAT
(Left shown)

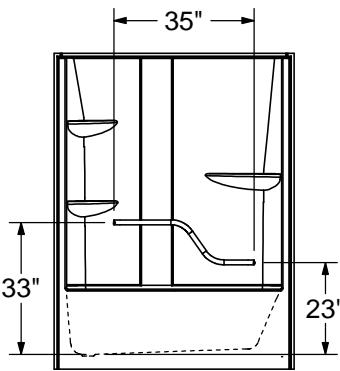
OPTION 20203, 20204 & 20216



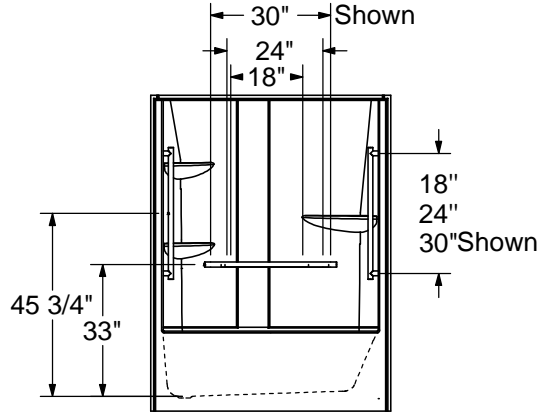
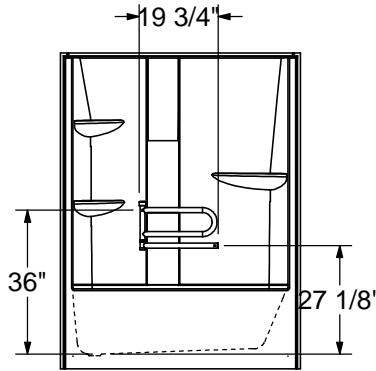
OPTION 20215



OPTION 20217



OPTION 20219



All dimensions are approximate. Structure measurements must be verified against the unit to ensure proper fit.