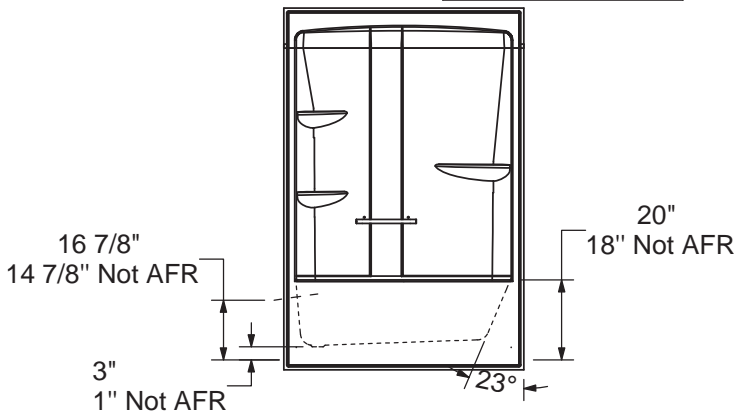
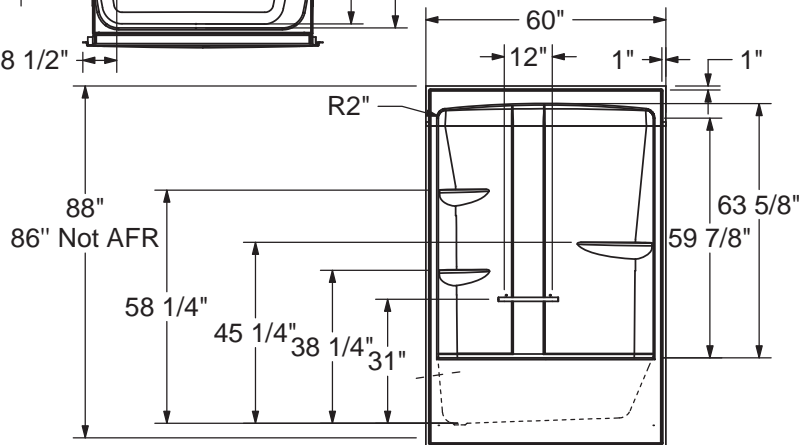
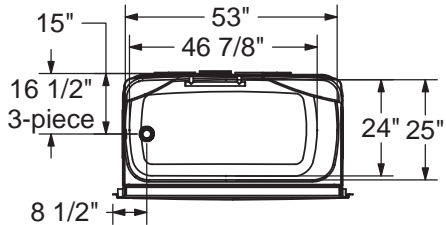
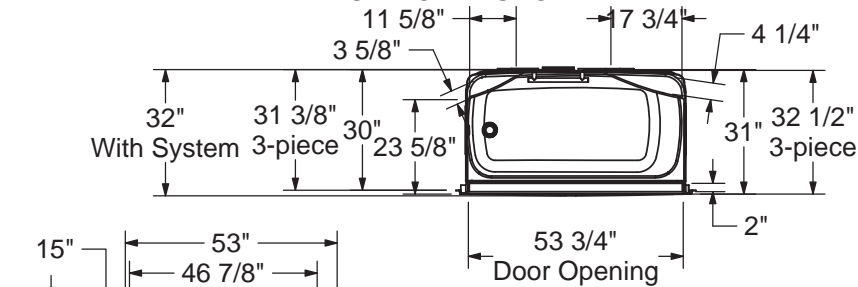
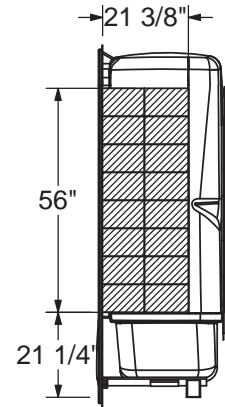


STANDARD
(Left shown)
1 PIECE MODEL SHOWN

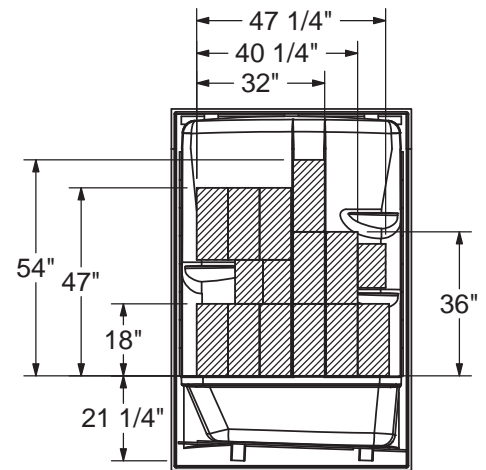


All dimensions are approximate. Structure measurements must be verified against the unit to ensure proper fit.

OPTIONAL REINFORCEMENT
(Left shown)

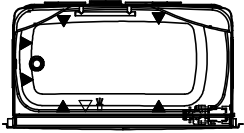


OPTIONAL REINFORCEMENT
(Back Wall)

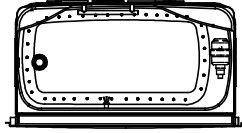


SYSTEM
(Left shown)

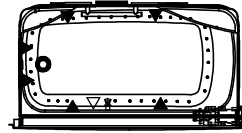
SYSTEM 001
Whirlpool



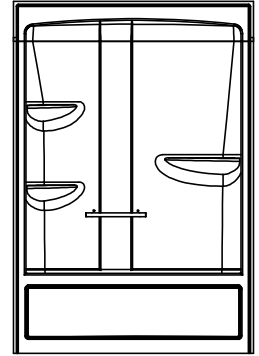
SYSTEM 103
Aeroeffect



SYSTEM 096
Combo



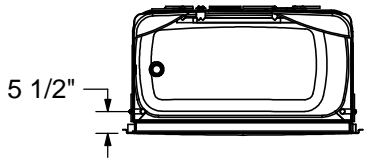
With ACCESS PANEL



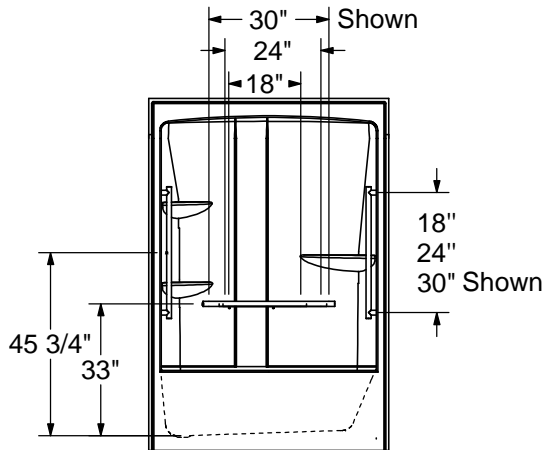
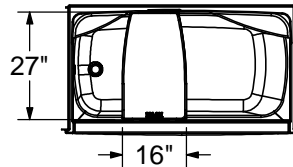
- (▲) : Indicates whirlpool jets positioning
- (△) : Indicates suction positioning
- (●) : Indicates Aerofeel airjets positioning
- (☼) : Indicates chromatherapy light positioning

GRAB BAR & SEAT
(Left shown)

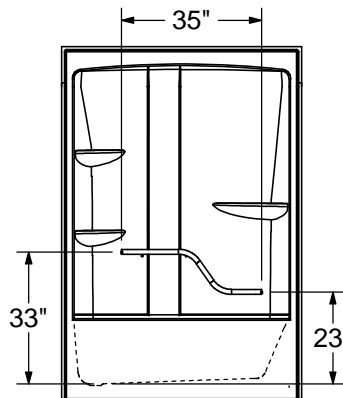
OPTION 20203, 20204 & 20216



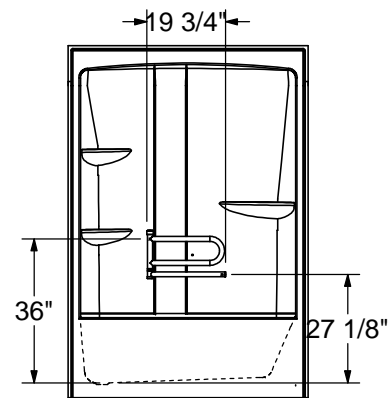
OPTION 20215



OPTION 20217



OPTION 20219



All dimensions are approximate. Structure measurements must be verified against the unit to ensure proper fit.