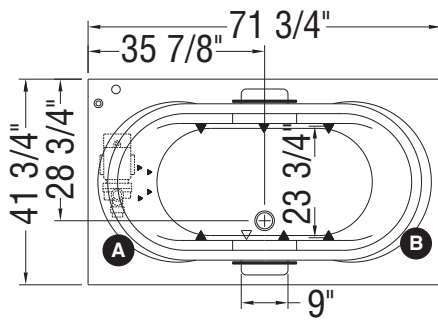
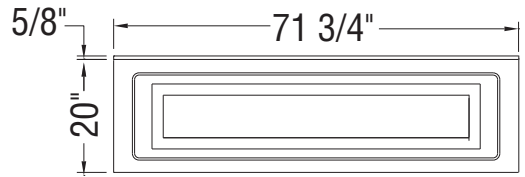
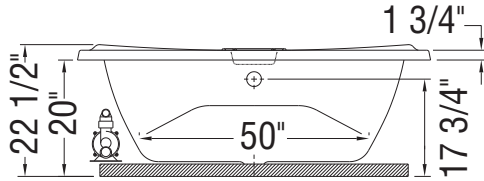
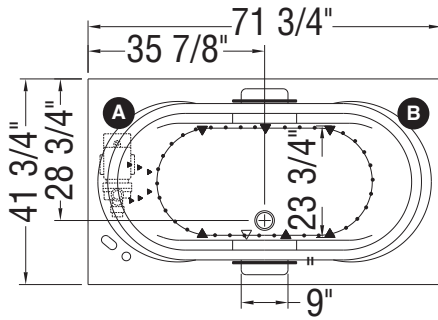


MICRO-JETS SYSTEM



HYDROSENS, BACKMAX  
AND BUBBLE TUB SYSTEMS



(A) : Specify blower and/or pump location when ordering

(▲) : Indicates whirlpool and backjets positioning

(△) : Indicates suction positioning

(•) : Indicates airjets positioning

**All dimensions are approximate. Structure measurements must be verified against the unit to ensure proper fit.**