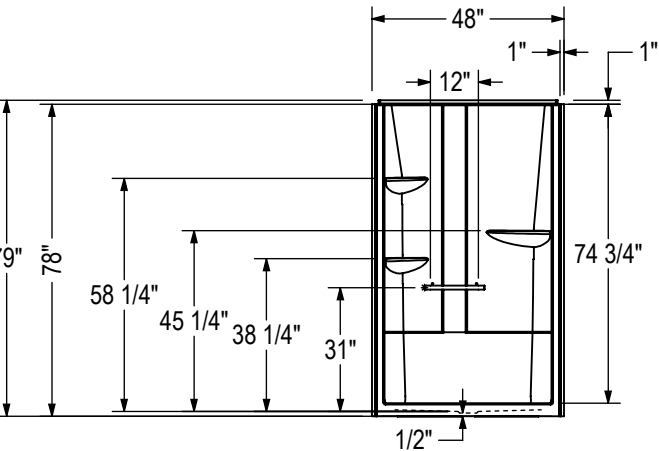
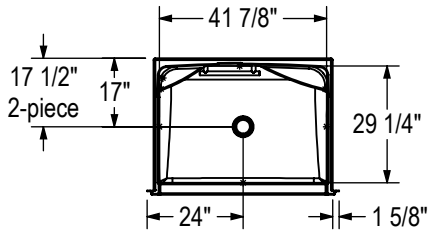
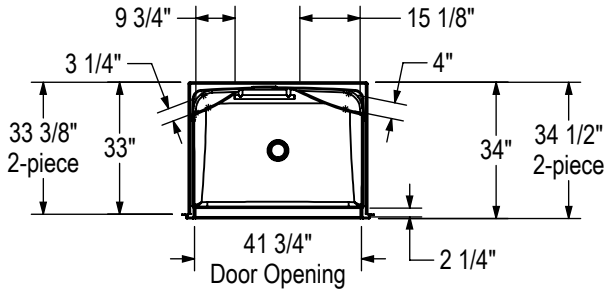
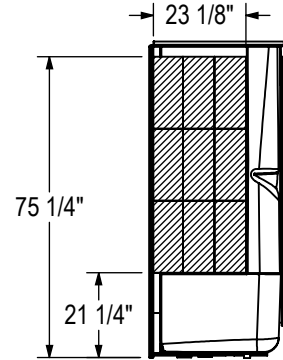


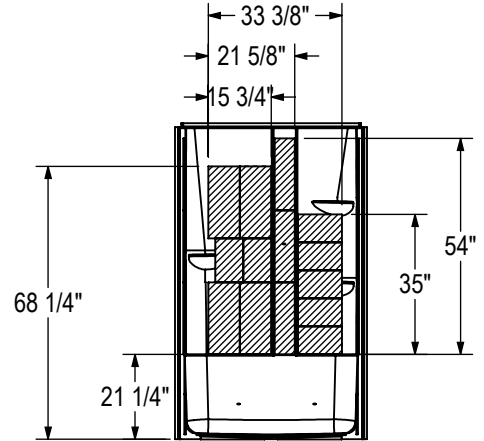
STANDARD  
1 PIECE MODEL SHOWN



OPTIONAL REINFORCEMENT  
(Left shown)

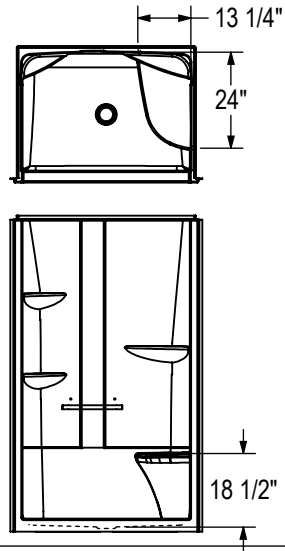


OPTIONAL REINFORCEMENT  
(Back Wall)

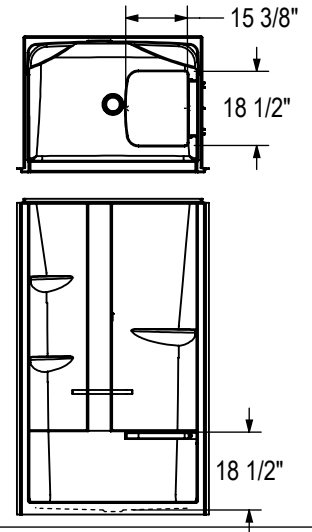


All dimensions are approximate. Structure measurements must be verified against the unit to ensure proper fit.

SEAT  
(Left shown)

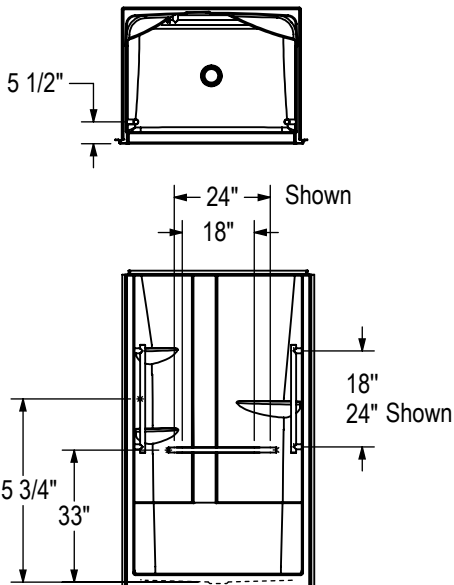


SEAT  
OPTION 20221  
(1-Piece only)

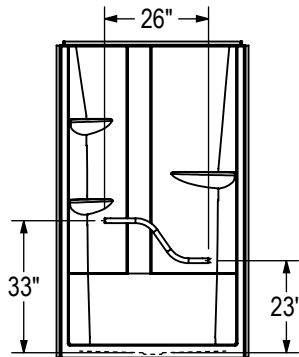


GRAB BAR  
(Left shown)

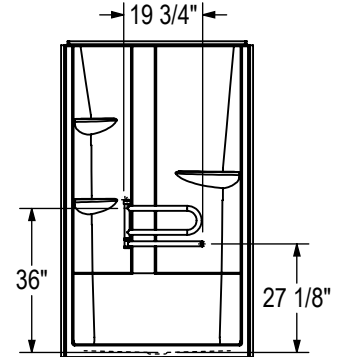
OPTION 20203 & 20204



OPTION 20218



OPTION 20219



All dimensions are approximate. Structure measurements must be verified against the unit to ensure proper fit.