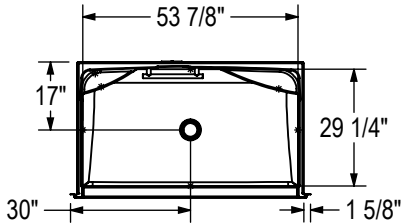
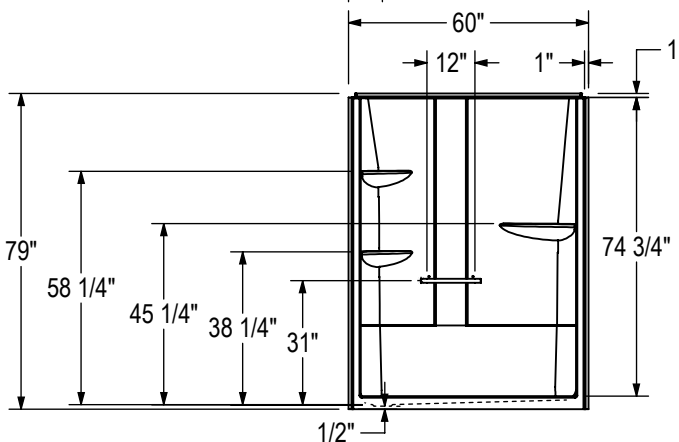
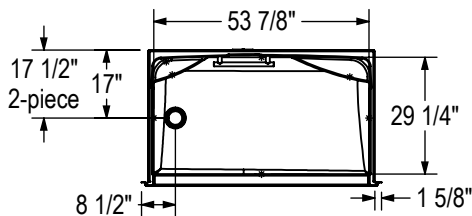
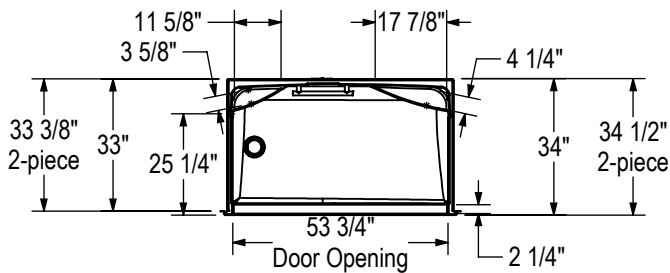


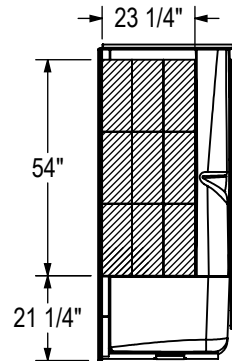
STANDARD
(Center Drain shown)
1-PIECE MODEL SHOWN



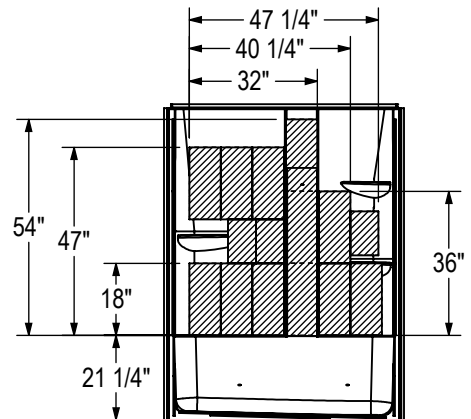
STANDARD
(Left shown)
1-PIECE MODEL SHOWN



OPTIONAL REINFORCEMENT
(Left shown)

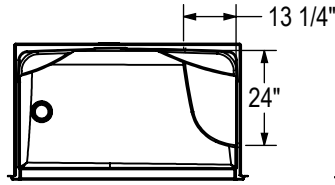


OPTIONAL REINFORCEMENT
(Back Wall)

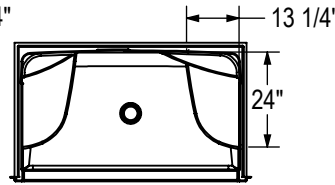


All dimensions are approximate. Structure measurements must be verified against the unit to ensure proper fit.

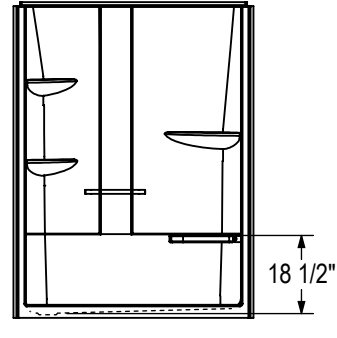
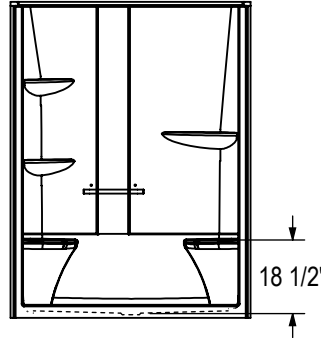
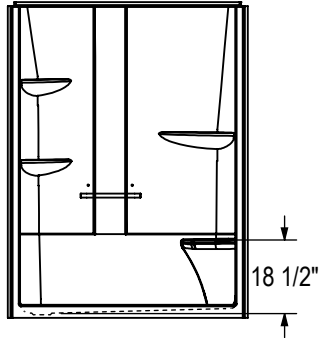
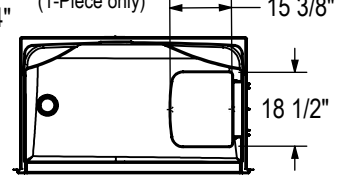
SEAT
(Left drain shown)



SEAT
(Center drain shown)

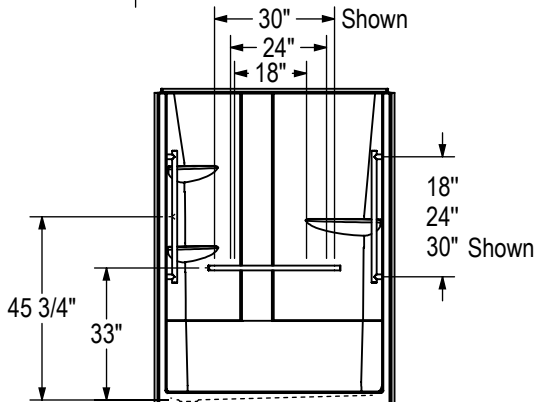
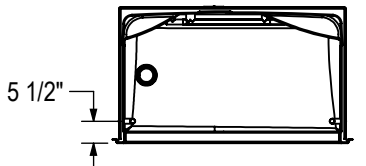


OPTION 20221
(1-Piece only)

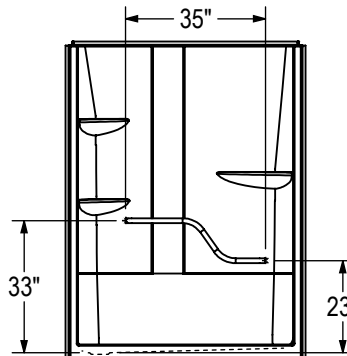


GRAB BAR
(Left shown)

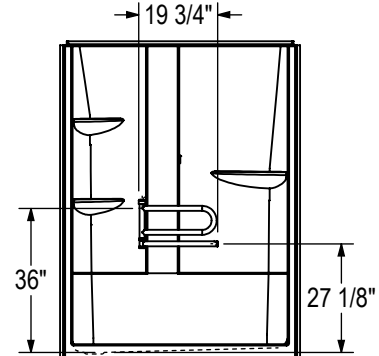
OPTION 20203, 20204 & 20216



OPTION 20217



OPTION 20219



All dimensions are approximate. Structure measurements must be verified against the unit to ensure proper fit.