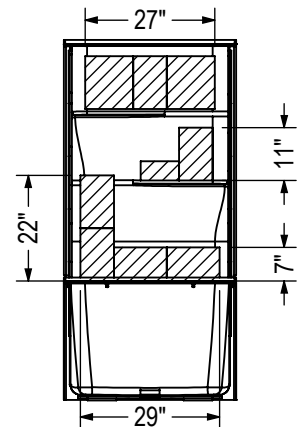
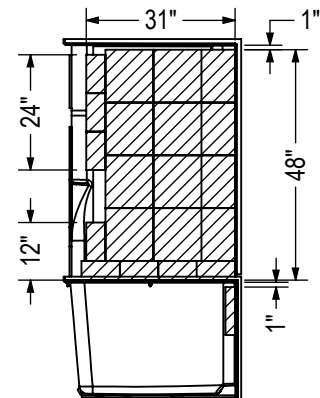
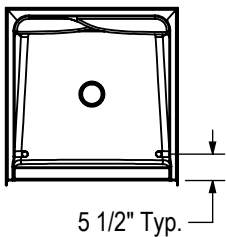


REINFORCEMENT BACKING
OPT 10189 (Left shown, Right symmetrical)

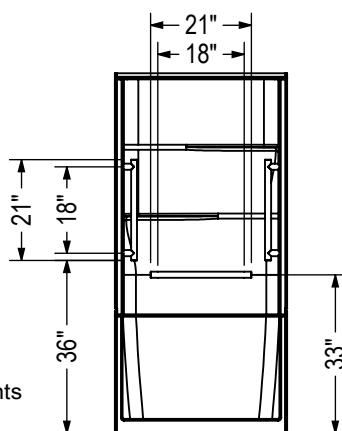


GRAB BAR

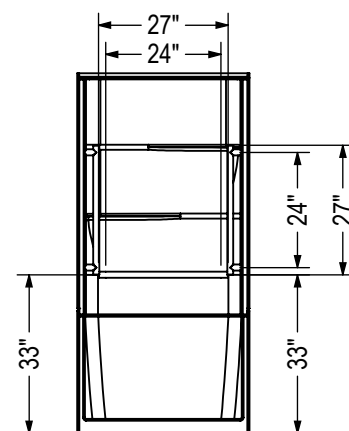
OPTION
20203-20204



OPTION 20203



OPTION 20204



All dimensions are approximate. Structure measurements must be verified against the unit to ensure proper fit.