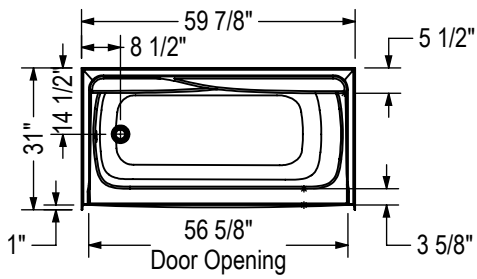
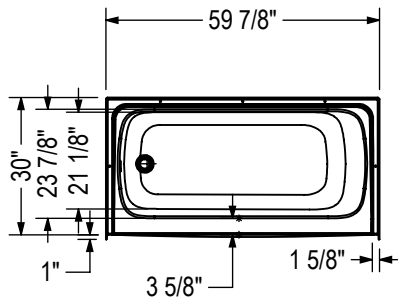


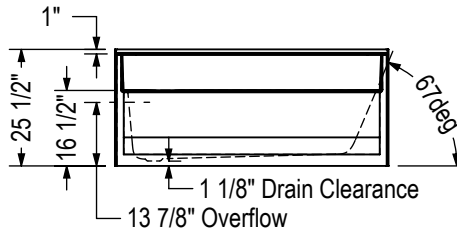
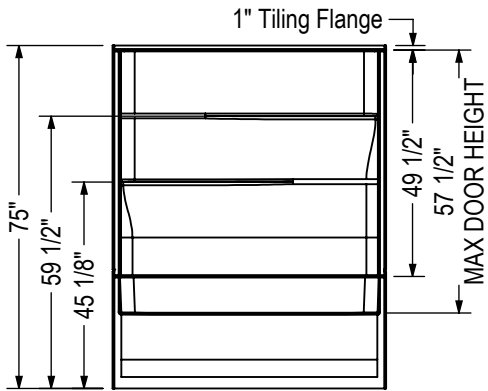
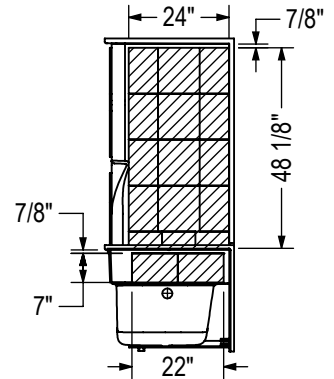
STANDARD



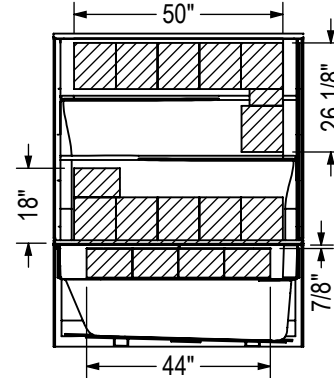
BASE ONLY



REINFORCEMENT BACKING
OPT 10189 (Left shown, Right symmetrical)



OPT 10189 (Back shown)

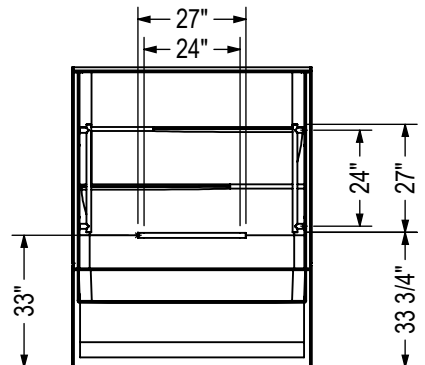
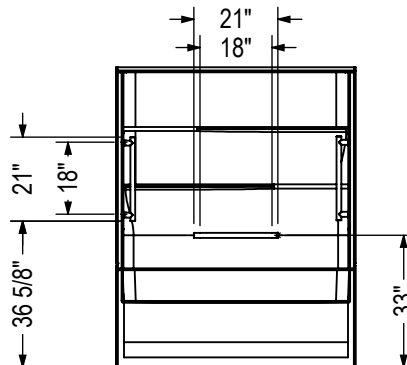
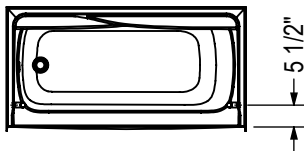


GRAB BAR

OPTION 20203

OPTION 20204

OPTION 20203-20204



All dimensions are approximate. Structure measurements must be verified against the unit to ensure proper fit.