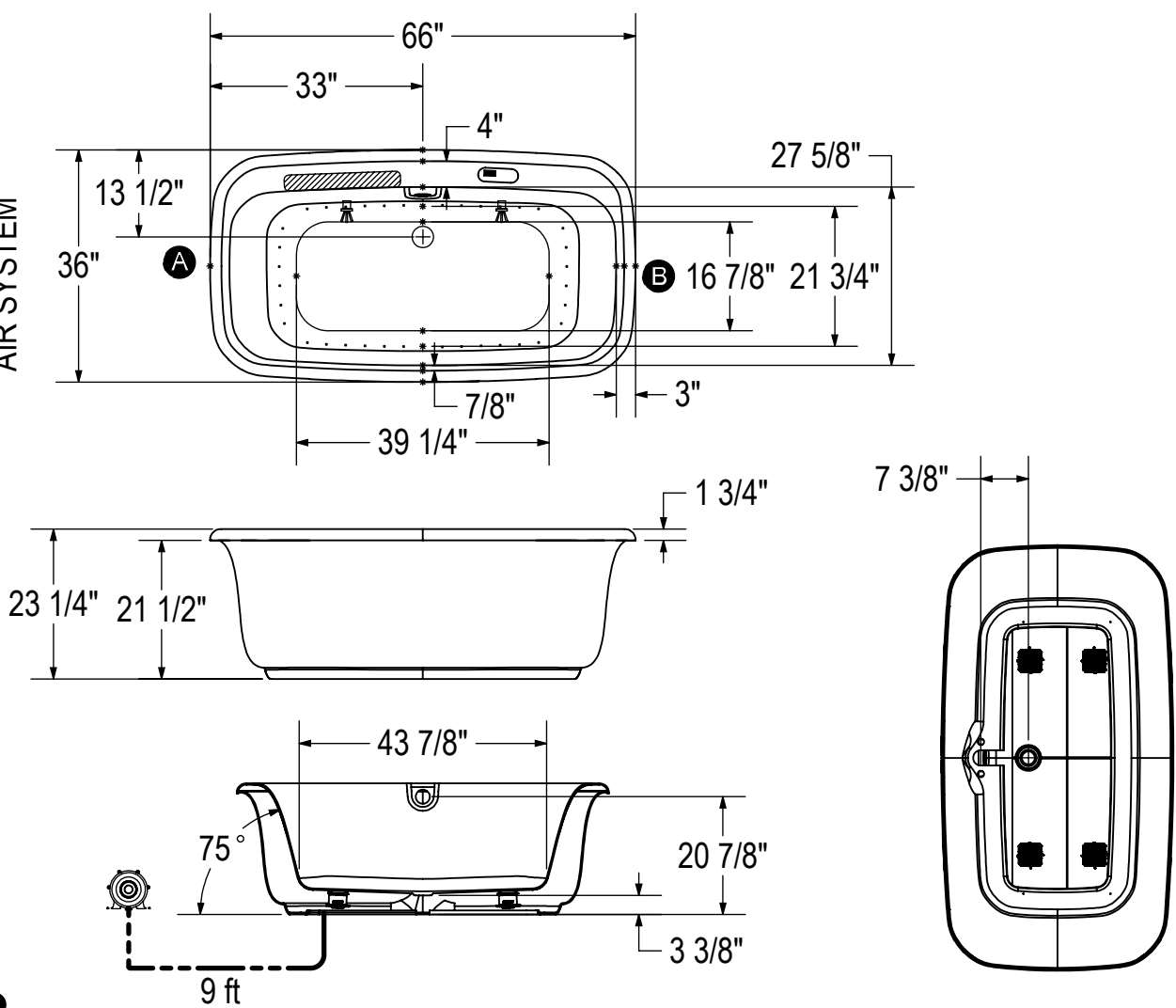


AIR SYSTEM



A

B

: Specify remote blower location when ordering

(☼): Indicates chromatherapy light positioning

(●): Indicates Aerofeel airjets positioning

(▨): Recommended faucet area 18" (L) x 2 1/2" (W).  
Could be longer without Chromatherapy option.

**Blower must be installed at a distance.**

**All dimensions are approximate. Structure measurements must be verified against the unit to ensure proper fit.**