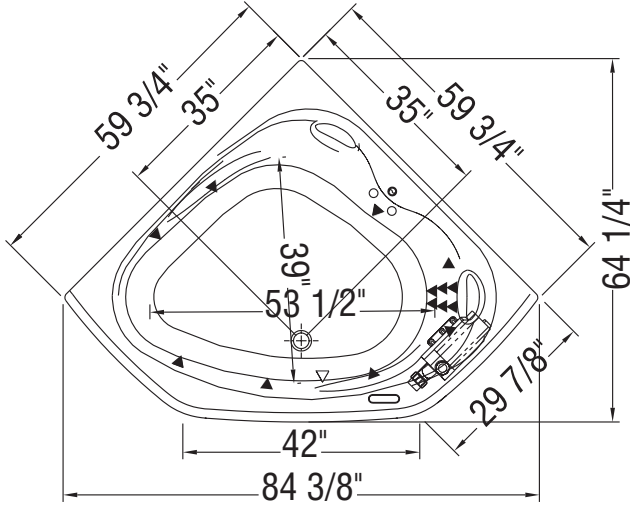
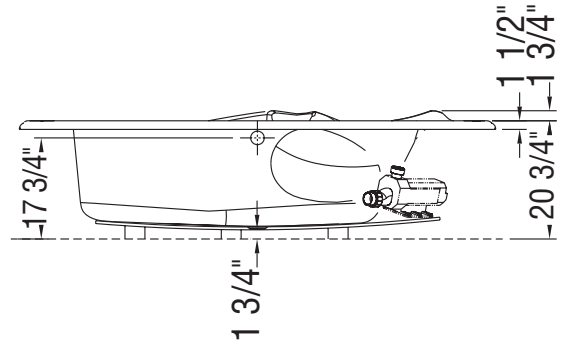
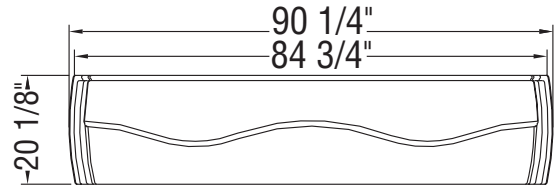
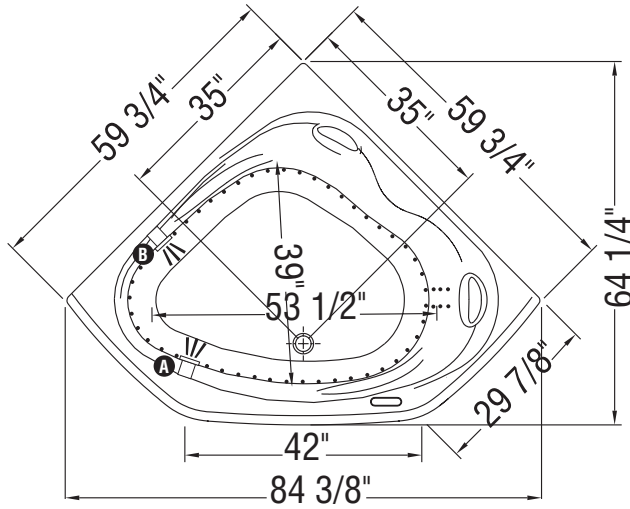


HYDROSENS AND BACKMAX SYSTEMS



AIR SYSTEM



- (▲): Indicates Whirlpool jets positioning
- (△): Indicates suction positioning
- (•): Indicates airjets positioning
- (☞): **A** Indicates chromatherapy light positioning opt. 1
B Indicates chromatherapy light positioning opt. 2

All dimensions are approximate. Structure measurements must be verified against the unit to ensure proper fit.