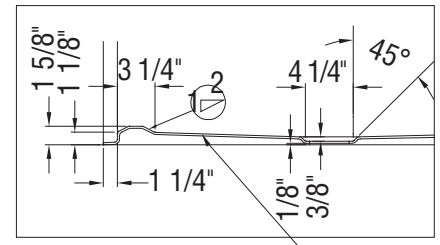
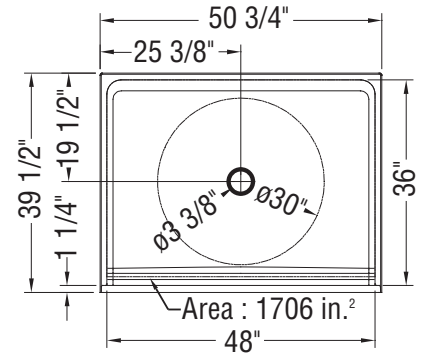
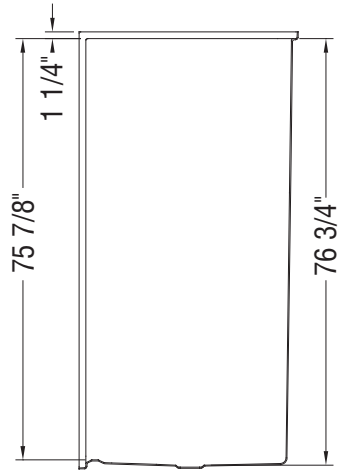
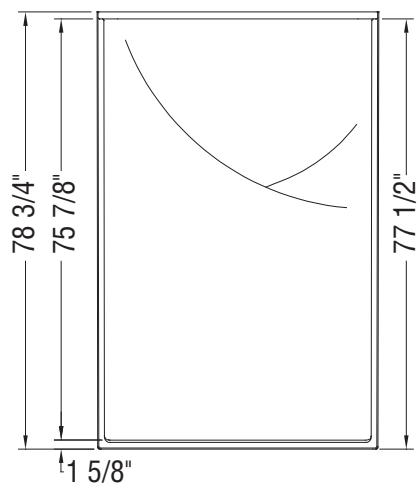
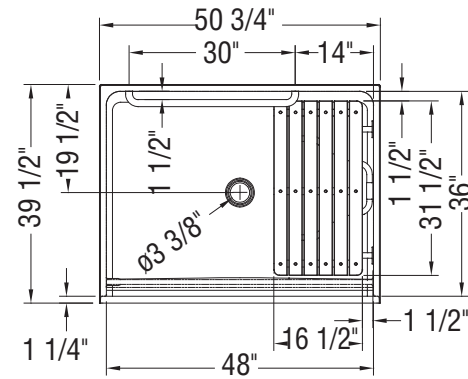
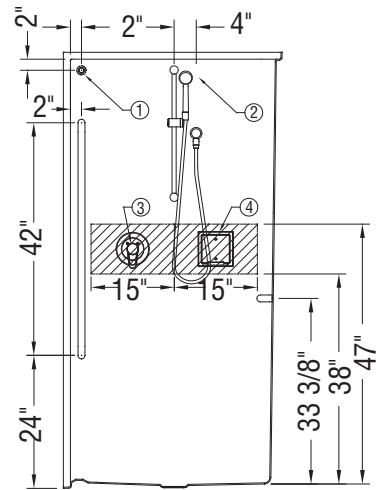
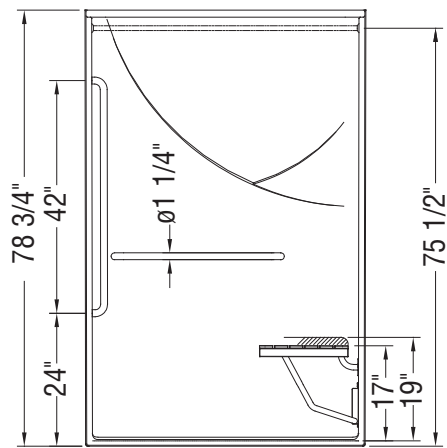


Base model



Floor Slope: 0.25" per feet

CSA B651-04 compliant



- ① : Curtain Rod
- ② : Hand Held Shower Option
- ③ : Pressure Balancing Mixing Valve Option
- ④ : Soap Dish Option

All dimensions are approximate. Structure measurements must be verified against the unit to ensure proper fit.