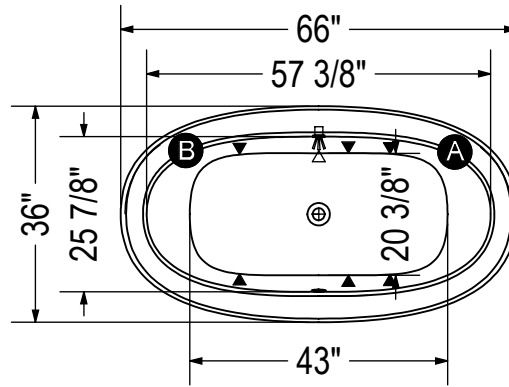
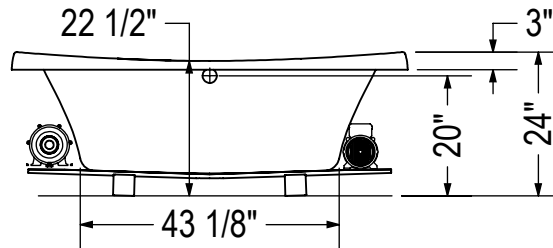
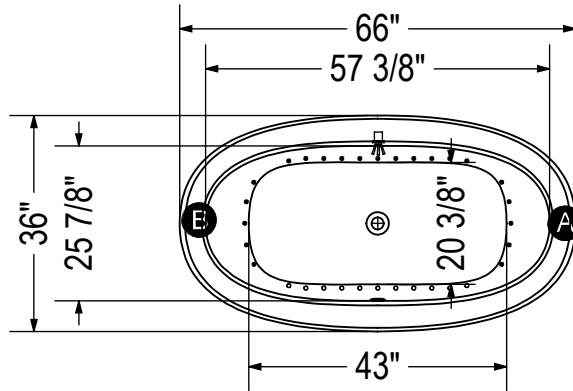


# HYDROSENS SYSTEM



# AIR SYSTEM



(A/B) : Specify blower and/or pump location when ordering

(▲) : Indicates whirlpool jets positioning

(△) : Indicates suction positioning

(●) : Indicates airjets positioning

(☼) : Indicates chromatherapy light positioning

All dimensions are approximate. Structure measurements must be verified against the unit to ensure proper fit.