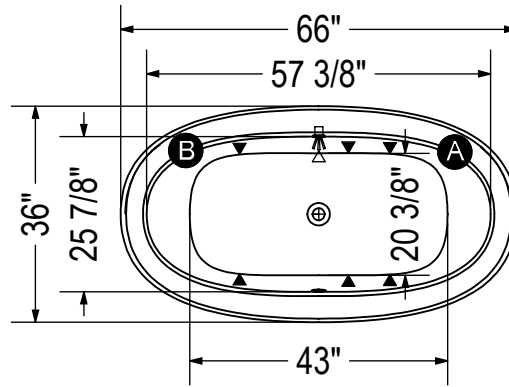
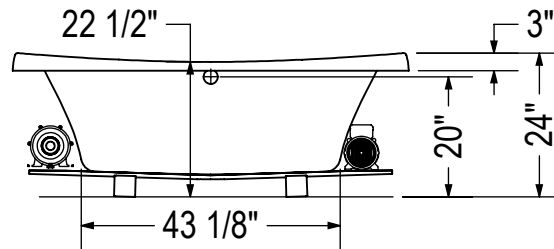
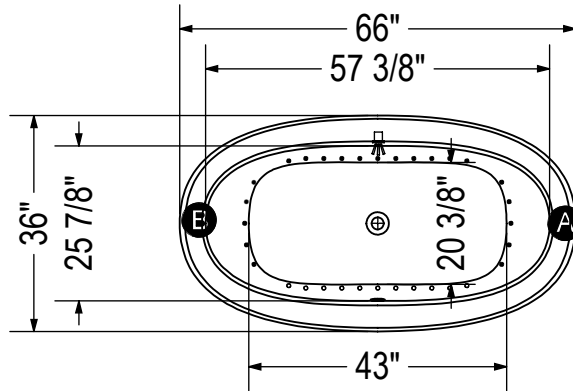


# HYDROSENS SYSTEM



# AIR SYSTEM



(A/B) : Specify blower and/or pump location when ordering

(▲) : Indicates whirlpool jets positioning

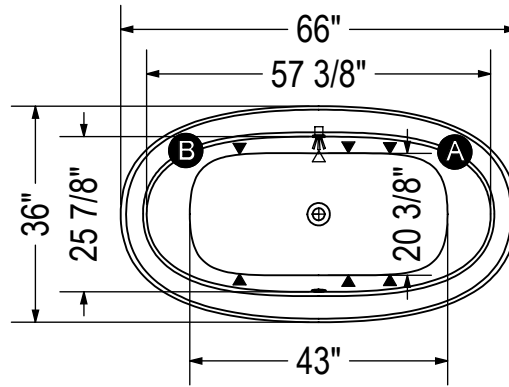
(△) : Indicates suction positioning

(●) : Indicates airjets positioning

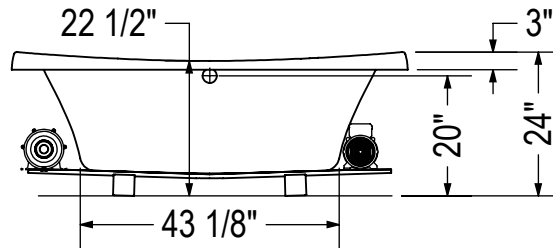
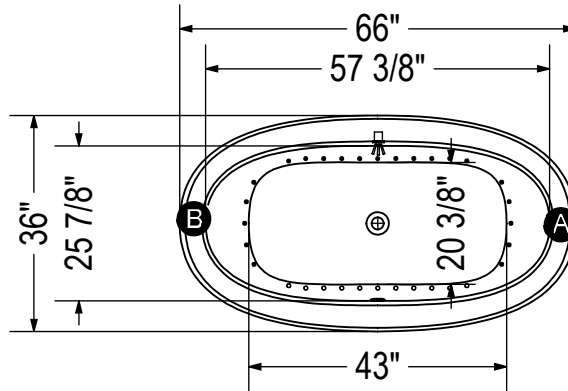
(⊕) : Indicates chromatherapy light positioning

**All dimensions are approximate. Structure measurements must be verified against the unit to ensure proper fit.**

WHIRLPOOL SYSTEM



AIR SYSTEM



(A, B) : Specify blower and/or pump location when ordering

(▲) : Indicates whirlpool jets positioning

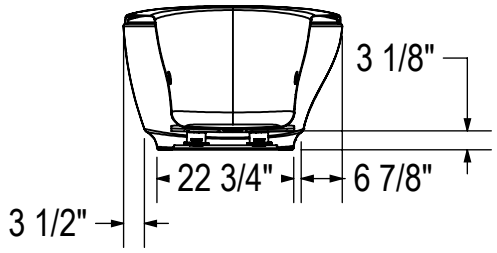
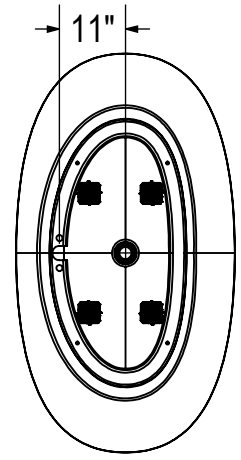
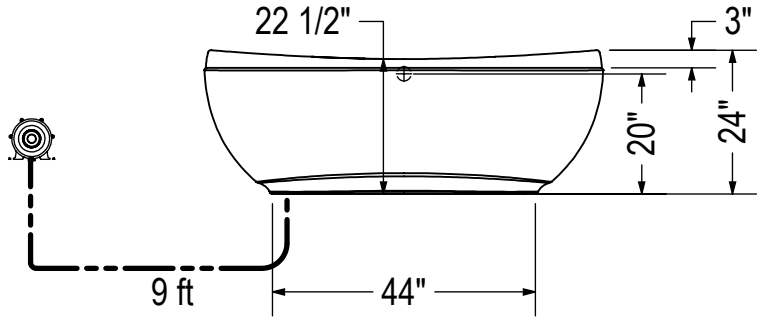
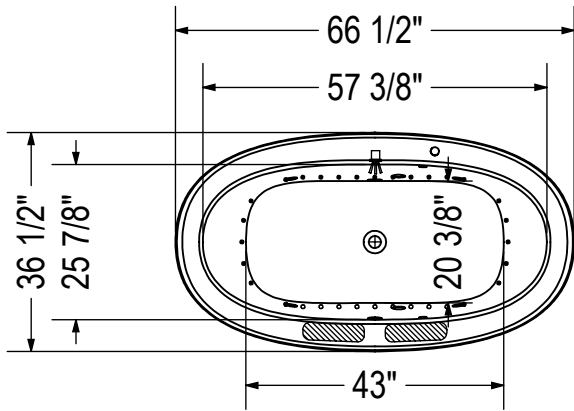
(△) : Indicates suction positioning

(●) : Indicates airjets positioning

(⊕) : Indicates chromatherapy light positioning

**All dimensions are approximate. Structure measurements must be verified against the unit to ensure proper fit.**

AIR SYSTEM



- ( ● ) : Indicates airjets positioning
- ( 📡 ) : Indicates chromatherapy light positioning
- ( 🚰 ) : Recommended faucet area 2 sections of 10" (L) x 3" (W).

**All dimensions are approximate. Structure measurements must be verified against the unit to ensure proper fit.**