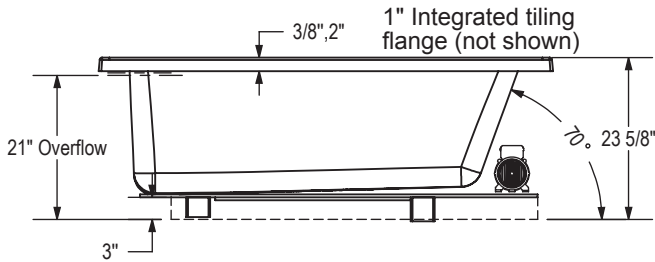
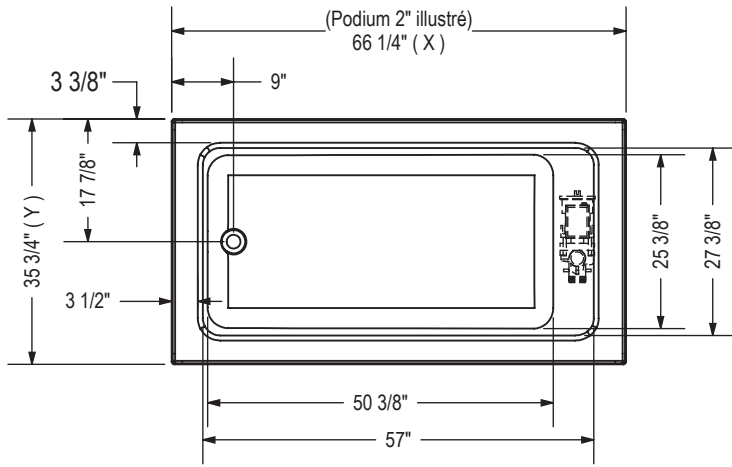


Technical drawing is universal for all 6636 configurations.
 External dimension (X,Y) vary depending on configuration (see chart)



	DROP IN 2"	DROP IN 3/8"	ALCOVE
X	66 1/4"	66"	65 3/4"
Y	35 3/4"	35 5/8"	35 5/8"

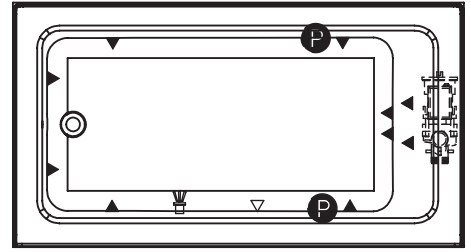
Wood support design may vary.

Integrated tiling flange: 1" height X 1/4" thickness (not shown)
 Tiling flange position is determined by chosen configuration.

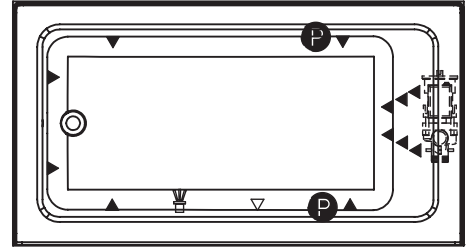
All dimensions are approximate.

Structure measurement must be verified against the unit to ensure proper fit.

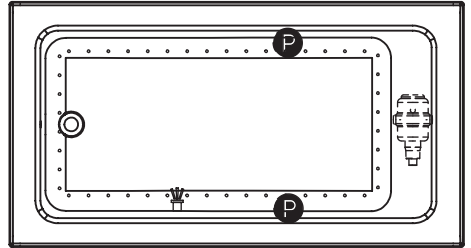
MICROJETS SYSTEM



HYDROSENS with BACKMAX SYSTEM



AIR SYSTEM



- (P) : Indicates optional grab bar positioning
- (▲) : Indicates whirlpool jets positioning
- (△) : Indicates suction positioning
- (●) : Indicates airjets positioning
- (⚡) : Indicates chromotherapy light positioning

APRON (alcove version only)

