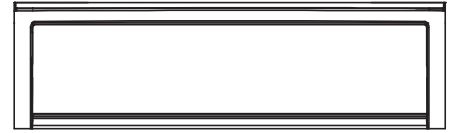
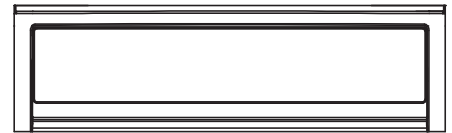


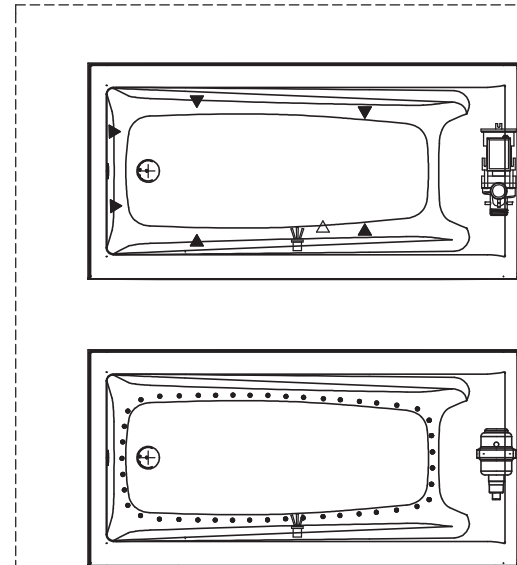
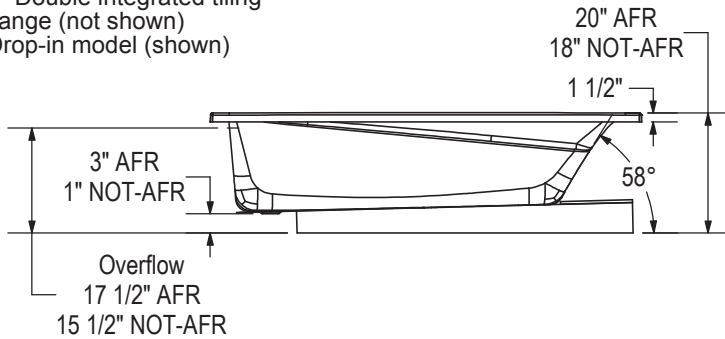
IFS Without System  
Single tiling flange



IFS With System  
(access panel)  
Single tiling flange



- 1" Single integrated tiling flange (not shown)
- 2" Double integrated tiling flange (not shown)
- Drop-in model (shown)



Technical drawing is universal for all Exhibit 7236 configurations.

Wood support design may vary.  
Single Integrated tiling flange: 1" height x 1/4" thickness (not shown)  
Double Integrated tiling flange: 2" height (not shown)

All dimensions are approximate.  
Structure measurement must be verified against the unit to ensure proper fit.

- ( ▲ ) : Indicates whirlpool jets positioning
- ( △ ) : Indicates suction positioning
- ( ● ) : Indicates airjets positioning
- ( ☼ ) : Indicates chromatherapy light positioning