

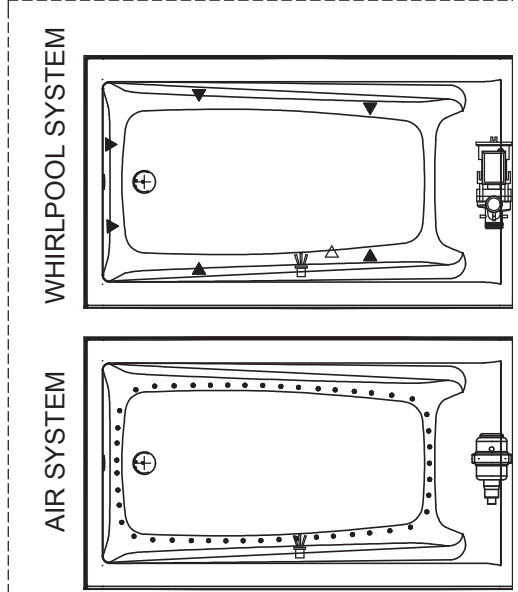
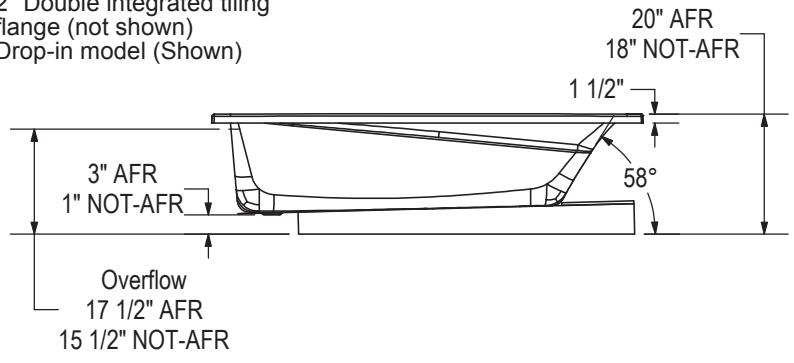
IFS Without System
Single tiling flange



IFS With System
(access panel)
Single tiling flange



- 1" Single integrated tiling flange (not shown)
- 2" Double integrated tiling flange (not shown)
- Drop-in model (Shown)



Technical drawing is universal for all Exhibit 7242 configurations.

Wood support design may vary.
Single Integrated tiling flange: 1" height x 1/4" thickness (not shown)
Double Integrated tiling flange: 2" height (not shown)

All dimensions are approximate.
Structure measurement must be verified against the unit to ensure proper fit.

- (▲) : Indicates whirlpool jets positioning
- (△) : Indicates suction positioning
- (●) : Indicates airjets positioning
- (☒) : Indicates chromatherapy light positioning