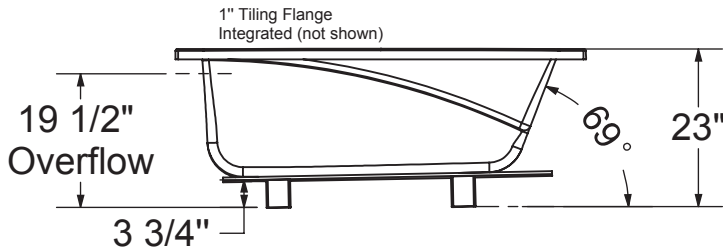
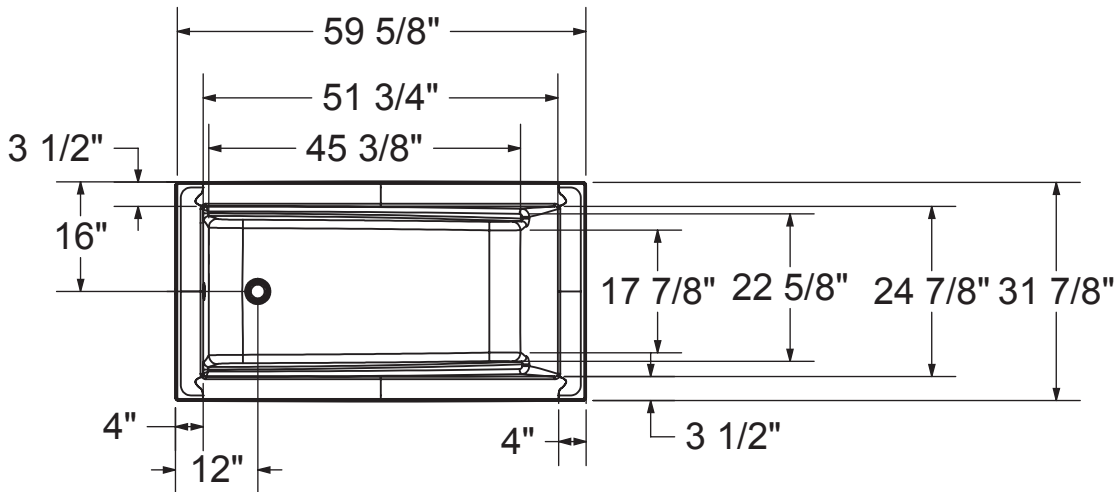


ModuIR BATHTUB, Drop in, Alcove, IF Corner LH-RH : 60X32 WITH ARMREST



This technical drawing is universal for all ModuIR tubs configurations (Drop in, Alcove, IF Corner LH-RH)

Integrated tiling flange: 1" height x $\frac{3}{8}$ " thick (not shown)
Tiling flange position is determined by chosen configuration.

All dimensions are approximate. Structure measurements must be verified against the unit to ensure proper fit.