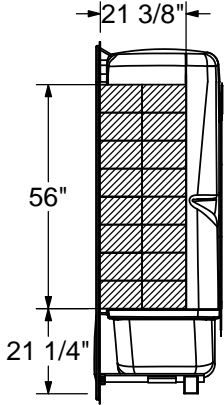
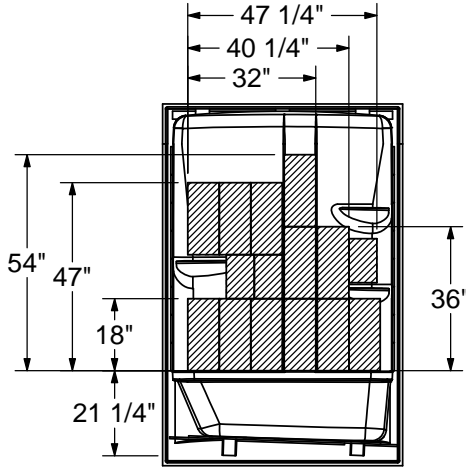


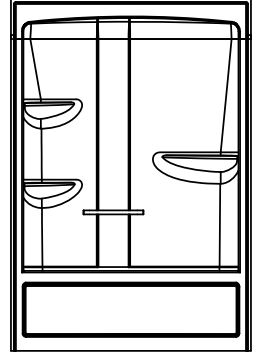
OPTIONAL REINFORCEMENT  
(Left shown)



OPTIONAL REINFORCEMENT  
(Back Wall)

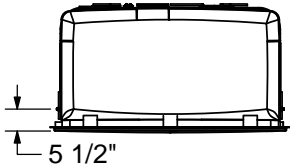


With ACCESS PANEL

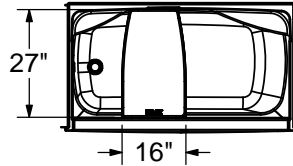


GRAB BAR & SEAT  
(Left shown)

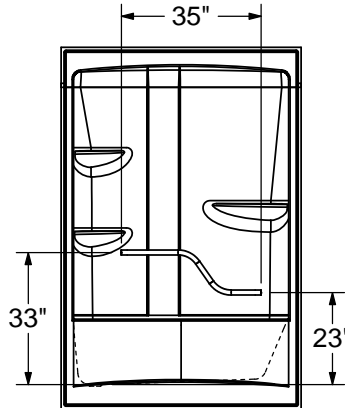
OPTION 20203, 20204 & 20216



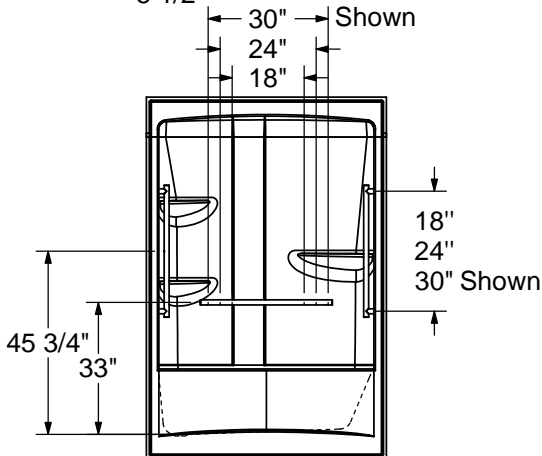
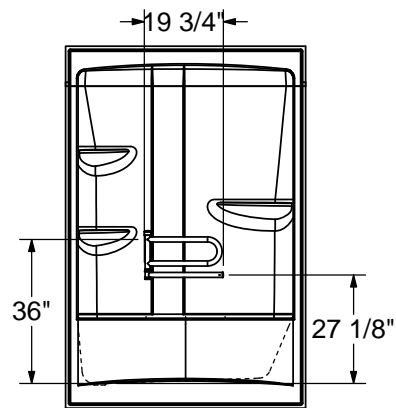
OPTION 20215



OPTION 20217



OPTION 20219



All dimensions are approximate. Structure measurements must be verified against the unit to ensure proper fit.