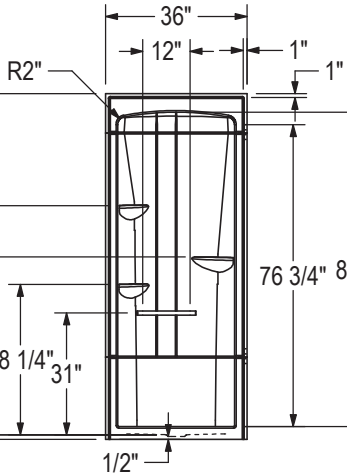
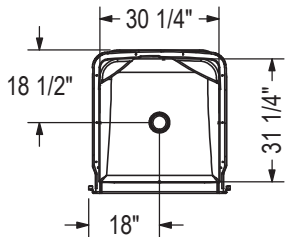
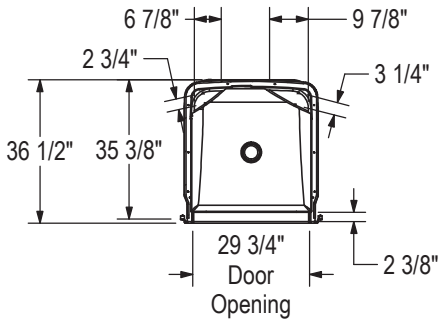
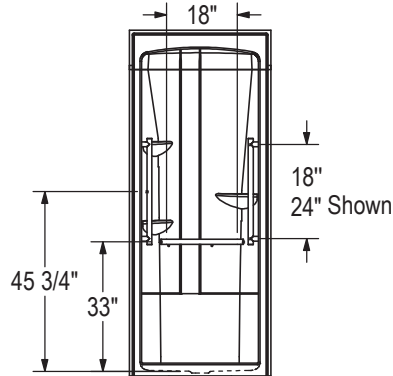
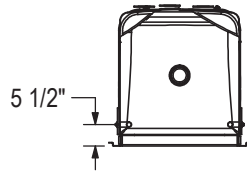


STANDARD

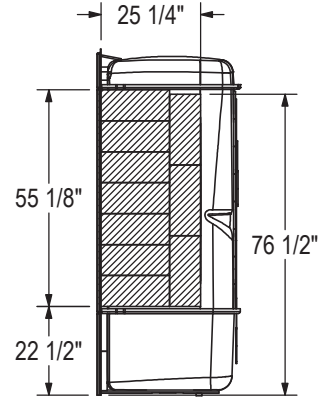


GRAB BAR

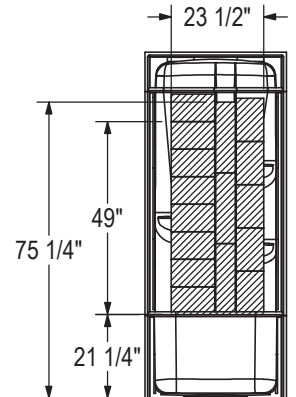
OPTION 20203 & 20204



OPTIONAL REINFORCEMENT (Left shown, Right symmetrical)



OPTIONAL REINFORCEMENT (Back Wall)



All dimensions are approximate.
Structure measurements must be verified against
the unit to ensure proper fit.