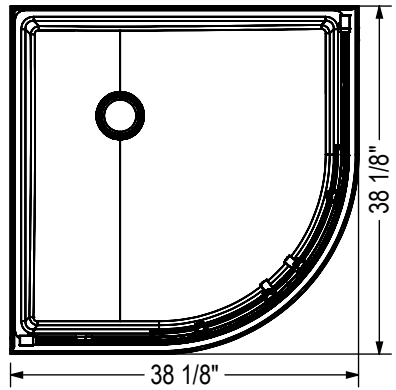
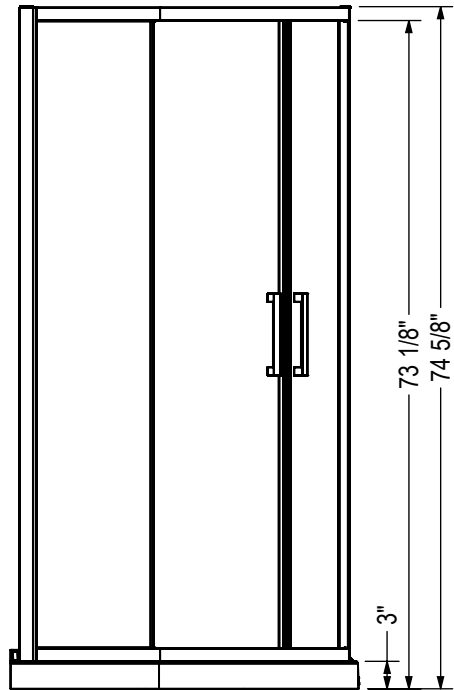
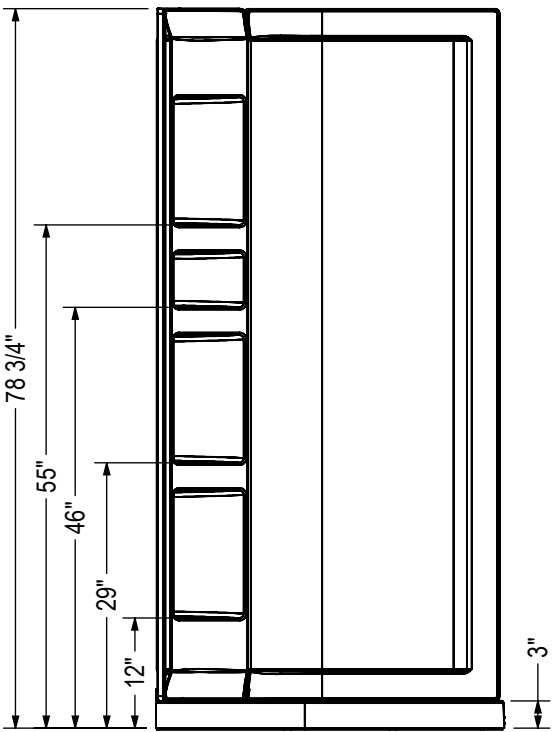


-Door opening : 21 $\frac{1}{4}"$
 -Door wall jamb adjustment : 1"



-Door opening : 21 $\frac{1}{4}"$
 -Door wall jamb adjustment : 1"



All dimensions are approximate. Structure measurements must be verified against the unit to ensure proper fit.