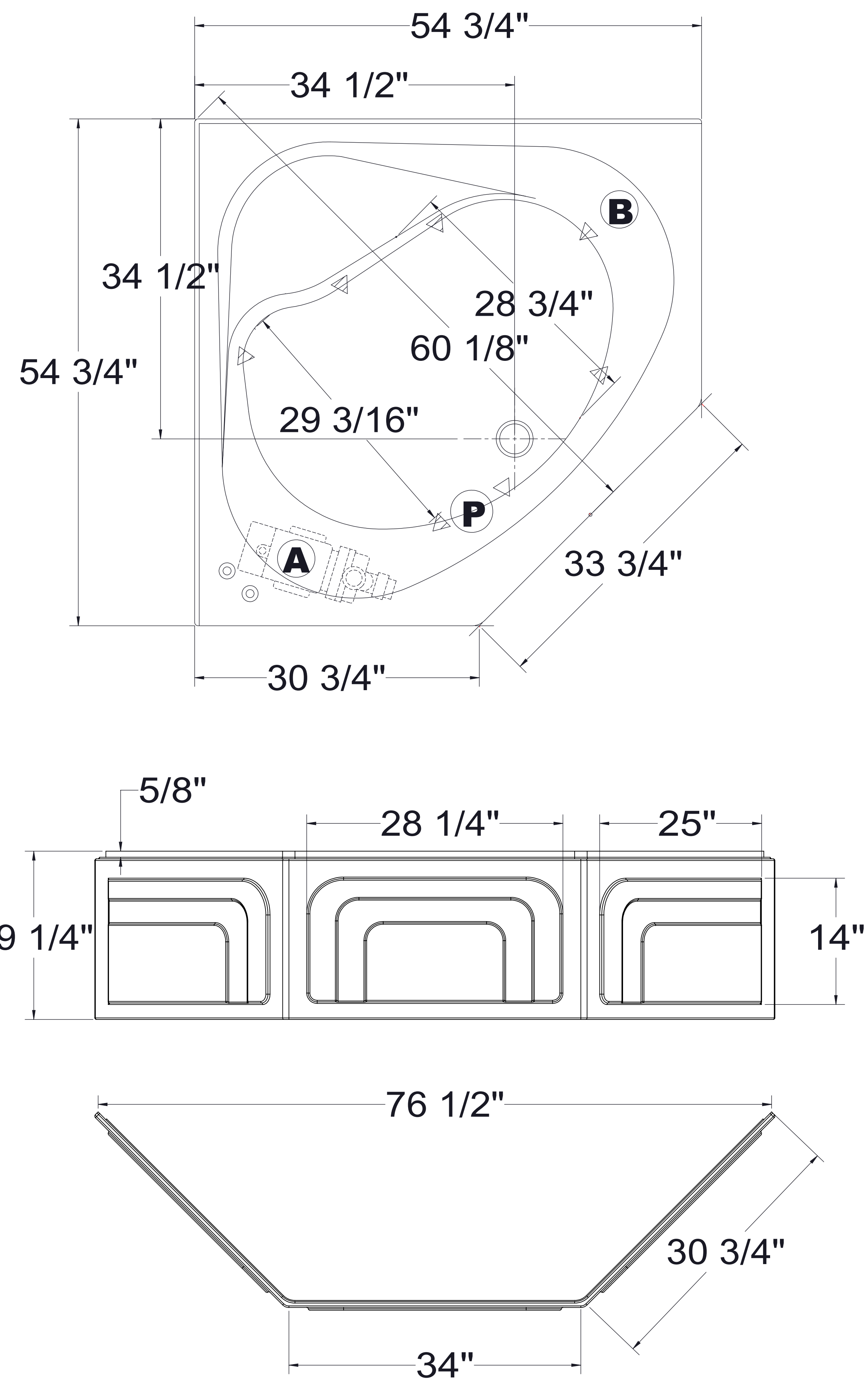
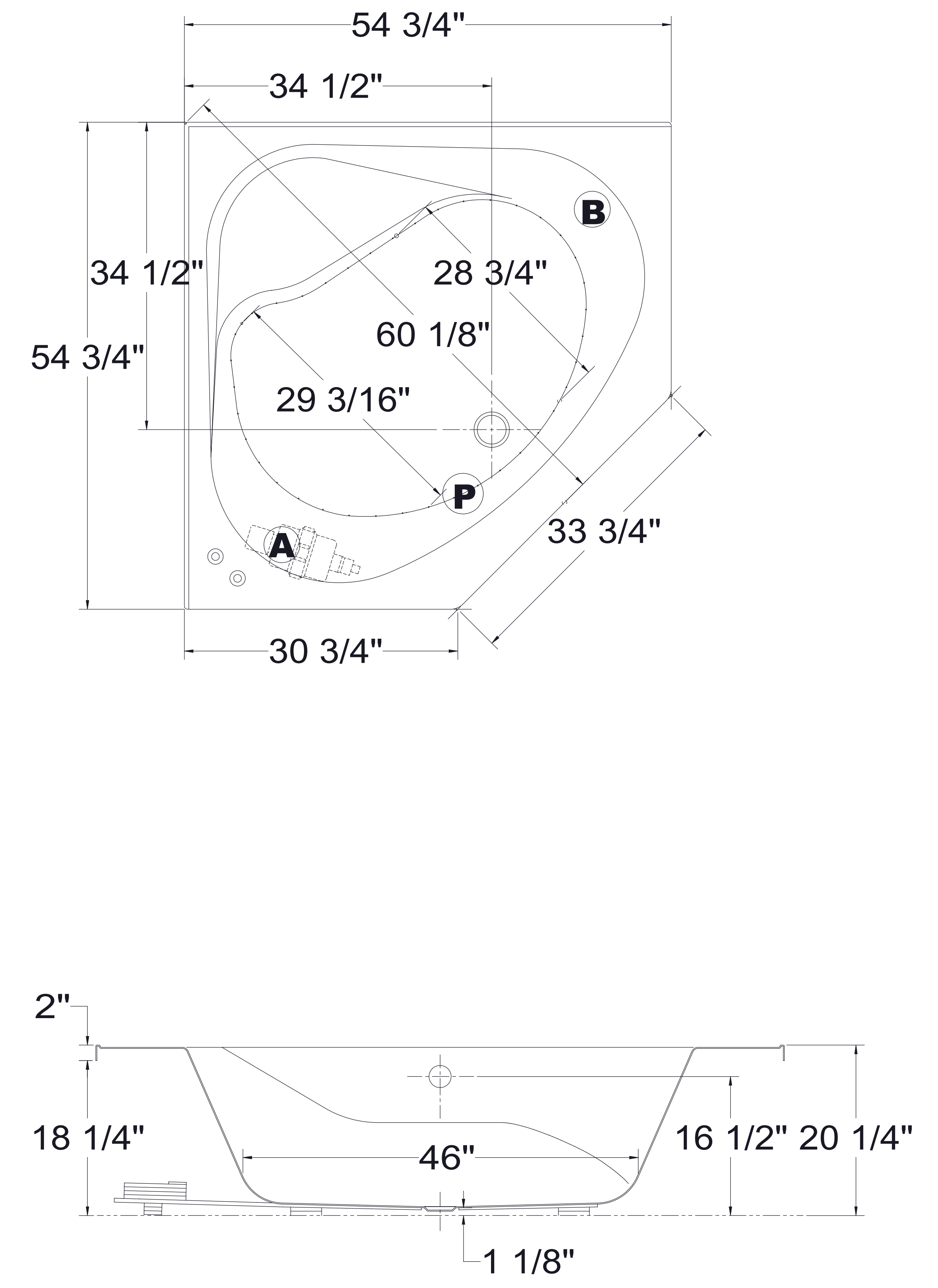


WHIRPOOL SYSTEM



AIR SYSTEM



- Ⓐ : Standard blower and/or pump location
- Ⓑ : Optional blower and/or pump location
- Ⓟ : Optional grab bar positioning
- ▲ : Indicates Whirpool jets positioning
- : Indicates airjets positioning
- △ : Indicates suction positioning

All dimensions are approximate. Structure measurements must be verified against the unit to ensure proper fit.