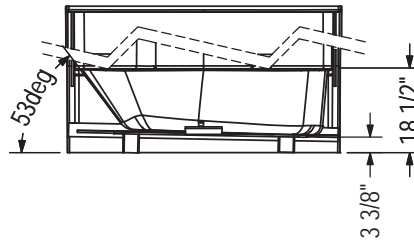
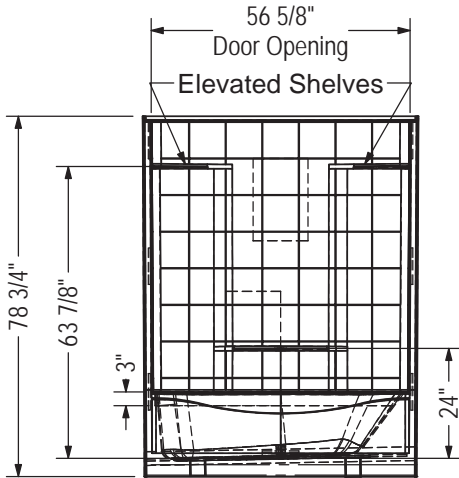
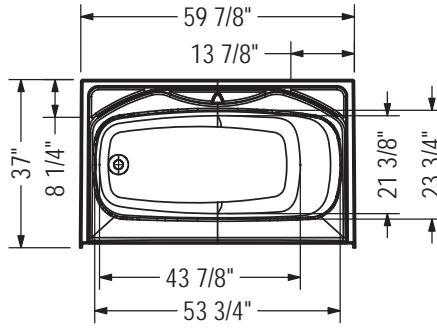
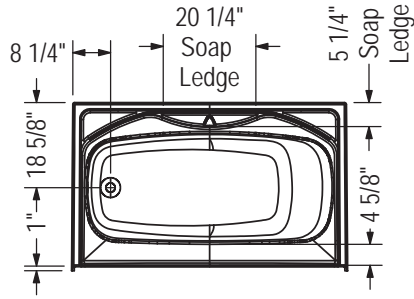
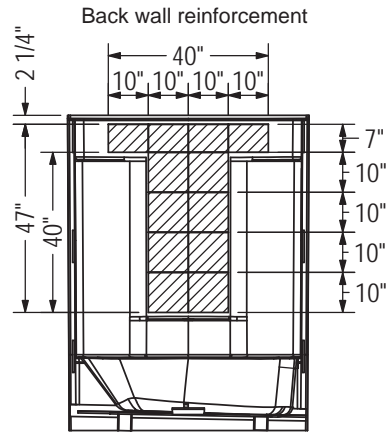
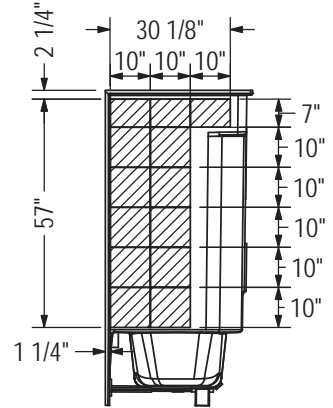


STANDARD



REINFORCEMENT BACKING
 Right wall reinforcement shown
 Left wall reinforcement symmetrical



All dimensions are approximate. Structure measurements must be verified against the unit to ensure proper fit.